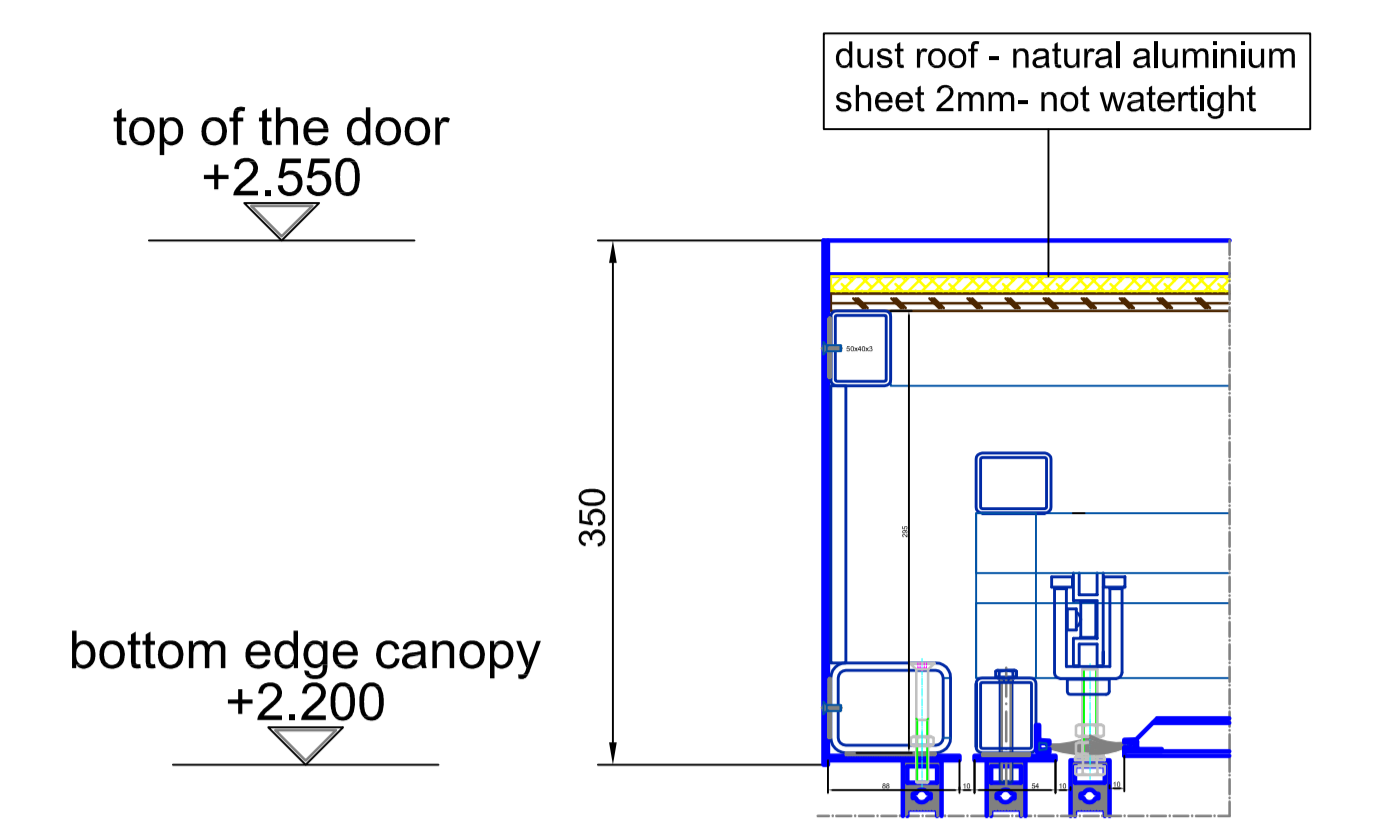
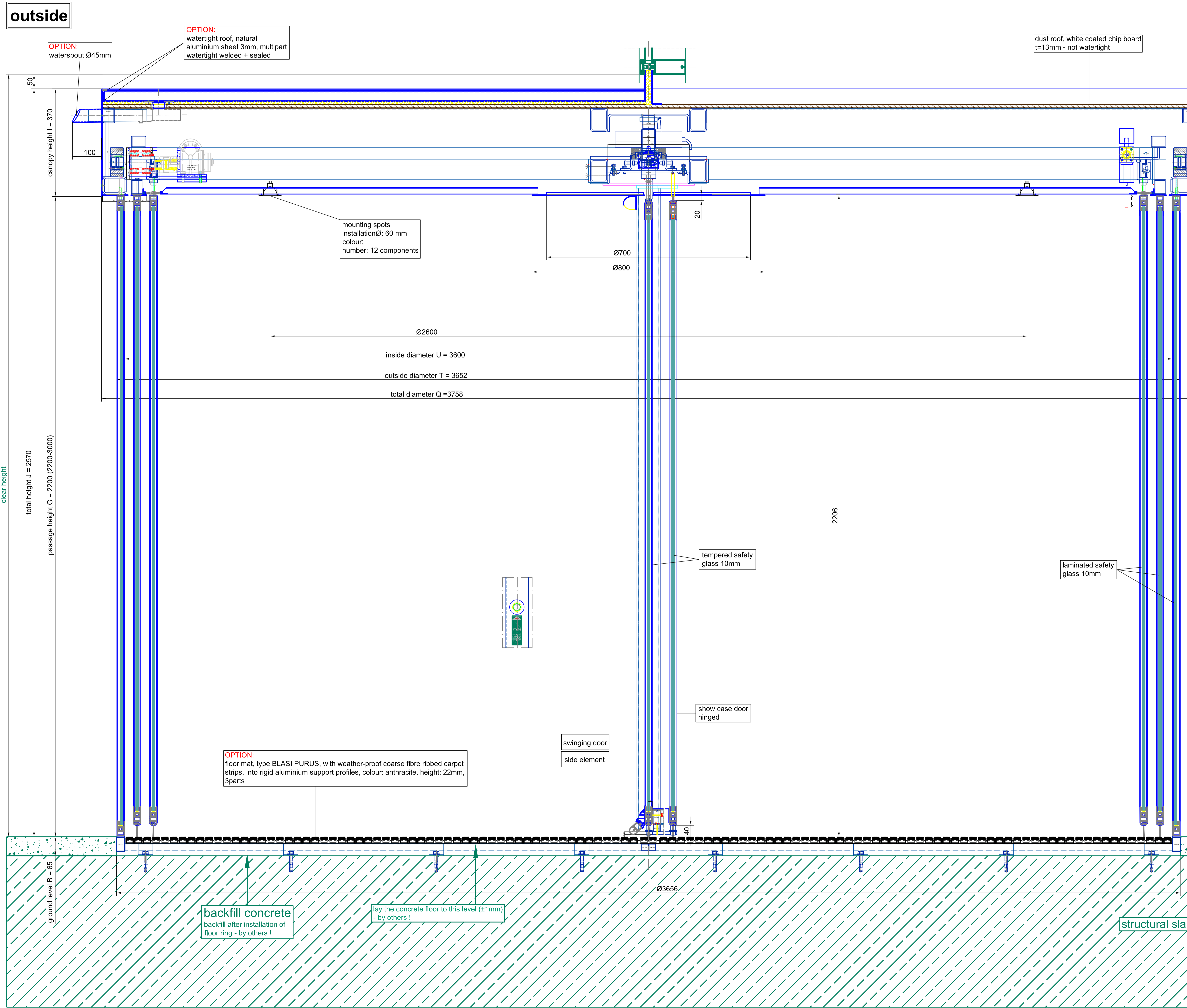


vertical section - dust roof / outside



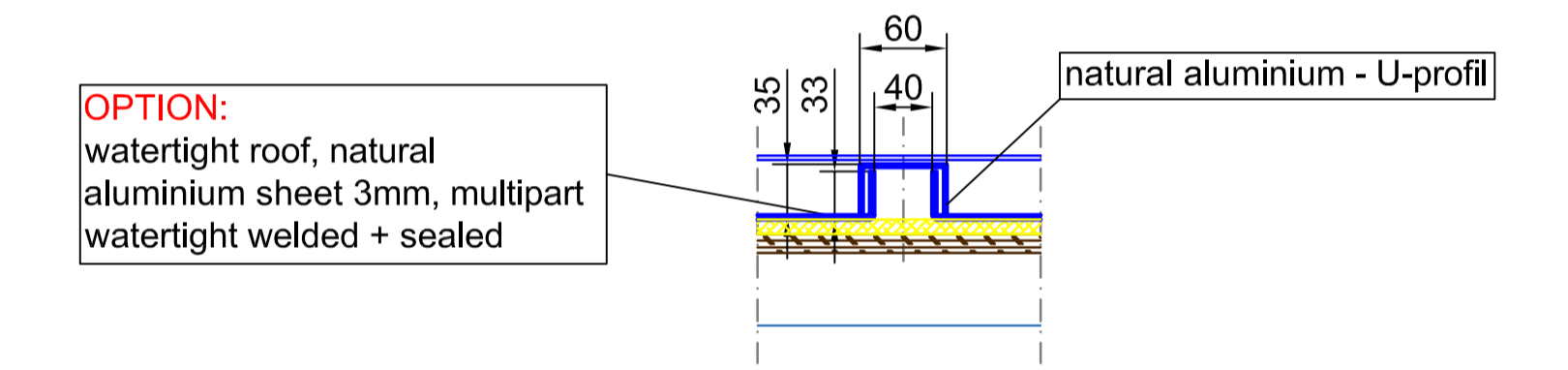
vertical section



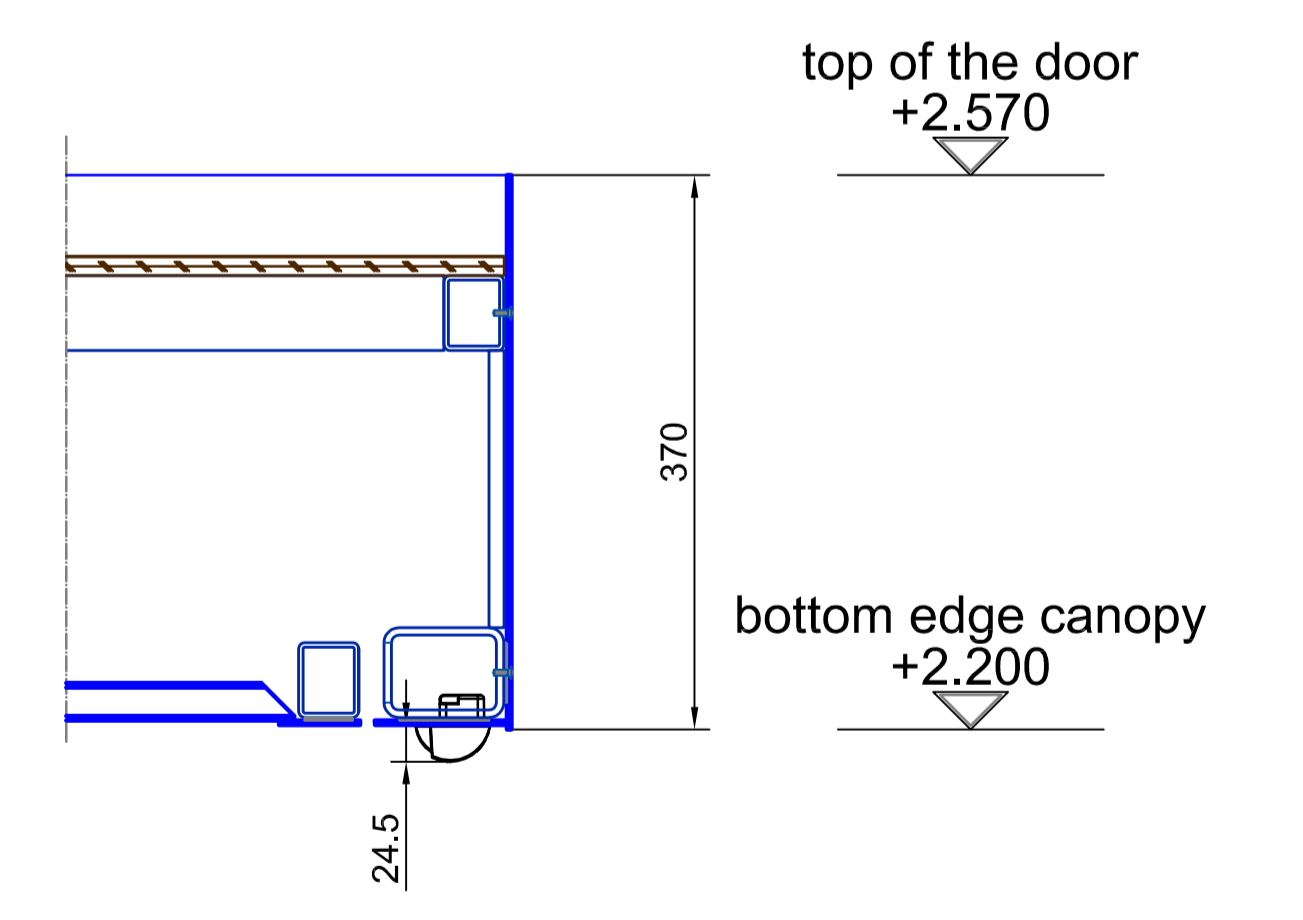
inside

top of the door
+2.570
bottom edge canopy
+2.200

vertical section - watertight roof - multipart



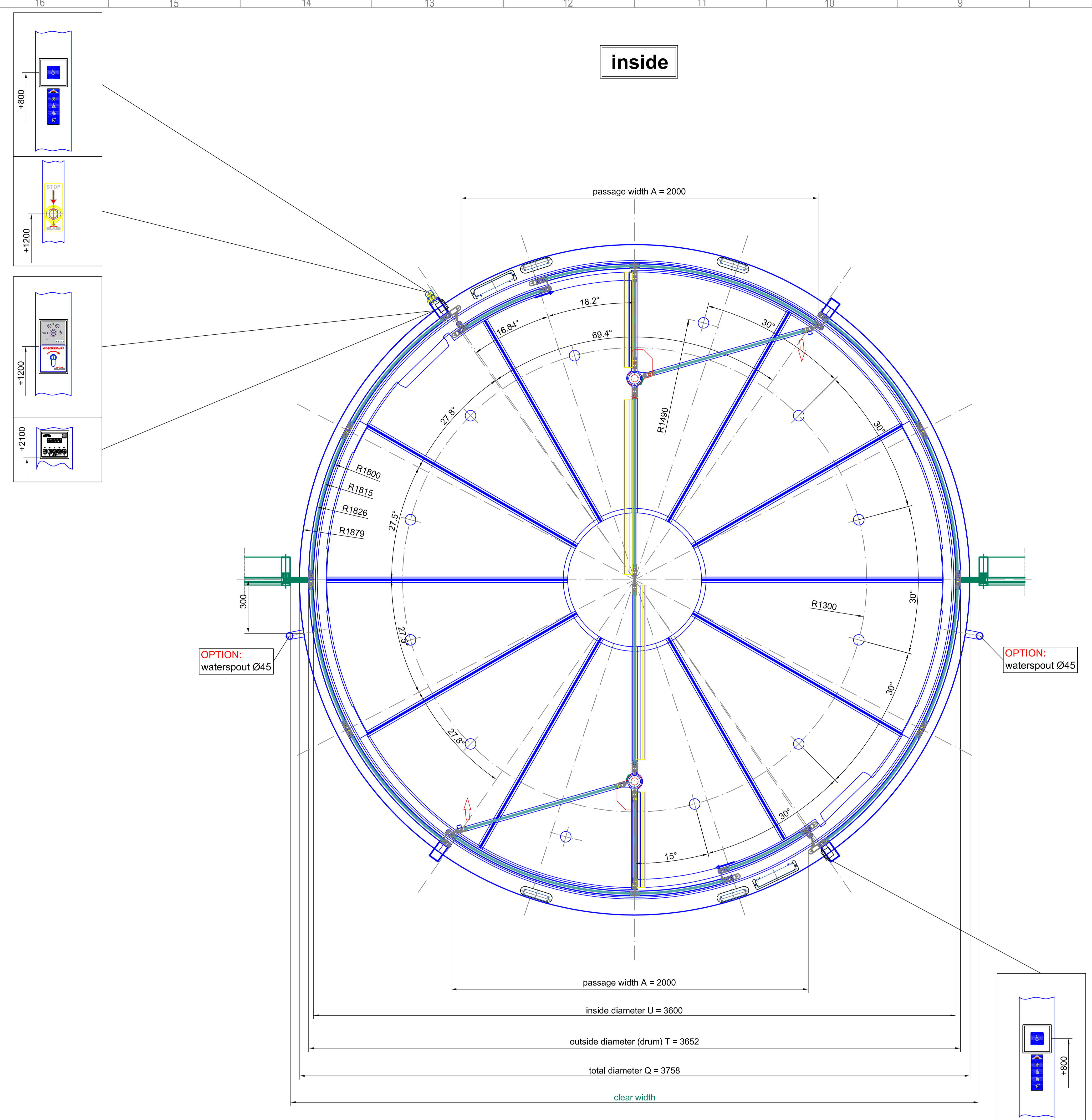
vertical section - passage area / inside



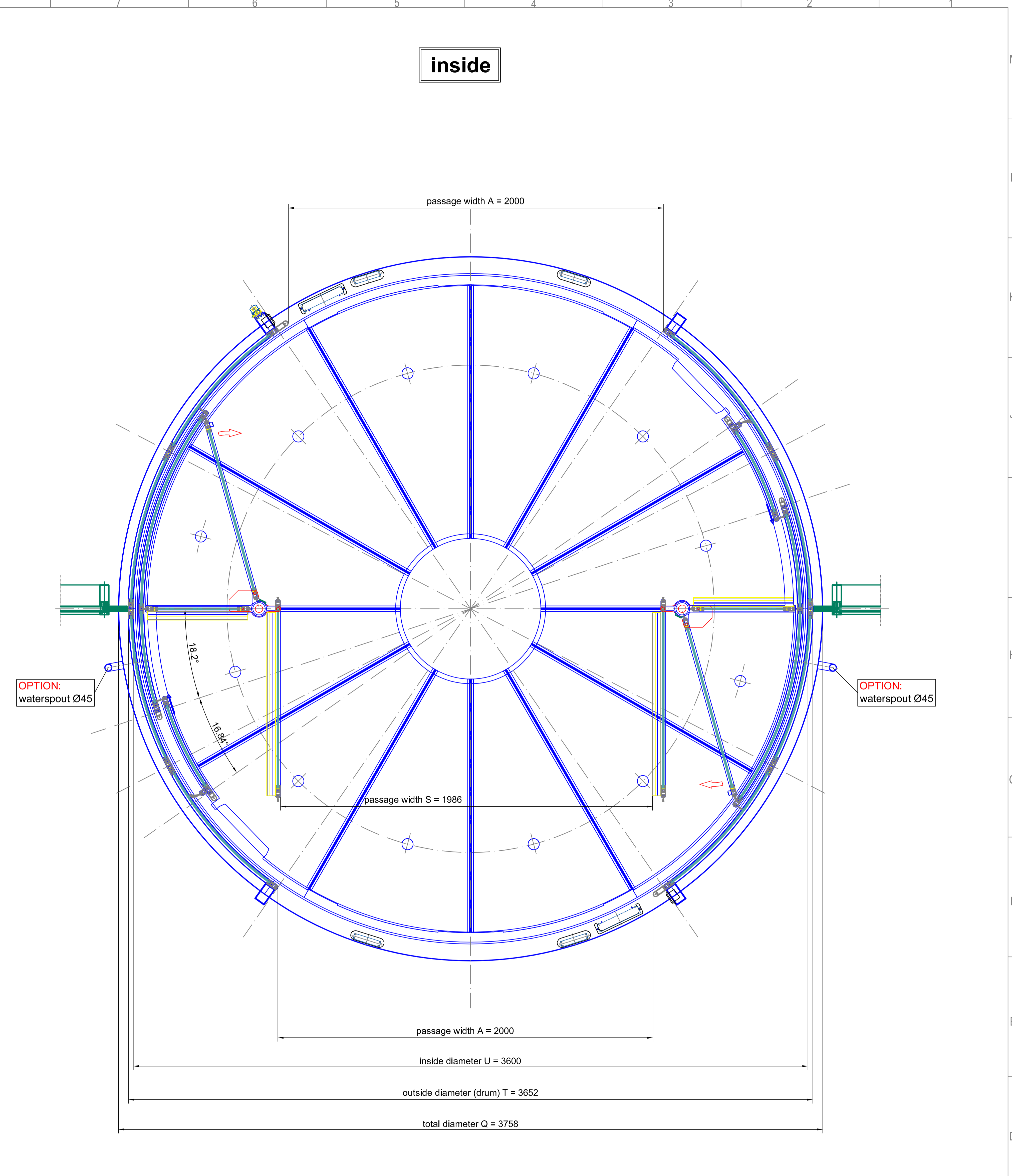
FFL
±0.000 (±1)
SSL
-0.065 (±1)

Surface:	All visible surfaces 304 s/s (DIN 7991)	All green marked components must be executed by others!
Single glasses:	tempered safety glass 10 mm	laminated safety glass 10 mm
Curve glasses:		
Scale:	A0=1:5	Confirmation No.:
Type:	K21-D/VI-36	Date:
Project:	SAMPLE DRAWING ONLY	Name:
Contractor:		
Checked:	Arranged:	Page: 01
		From: 04

BLASI
B L A S I G m b H
Automatic Doors
Carl-Benz-Str. 5-15
D - 77972 Mannheim
Tel. +497822 / 893 - 291
Fax. +497822 / 893 - 299
E-mail: info@blasi.info
www. blasi . info



horizontal section - door in standard position

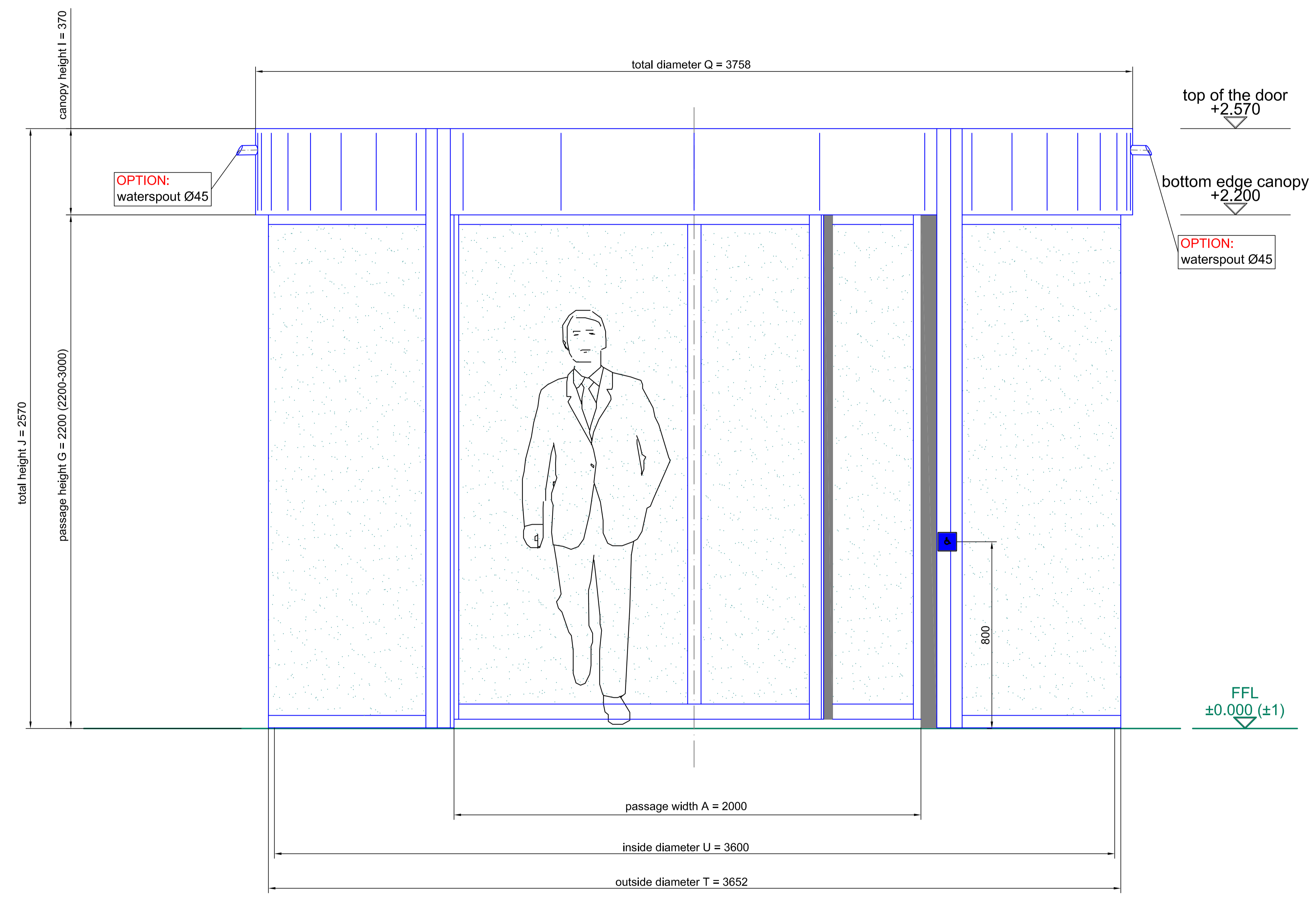


horizontal section - door in open door position

Surface:	All visible surfaces 304 s/s (DIN 7991)	All green marked components must be executed by others!!!
Single glasses:	tempered safety glass 10 mm	laminated safety glass 10 mm
Corner glasses:		
Notes:	Modifications	
Scale:	A0=1:10	Confirmation No.:
Type:	K21-D/VI-36	Date:
Project:	SAMPLE DRAWING ONLY	Name:
Contractor:		
Drawing No.:		Page:
		02
		04

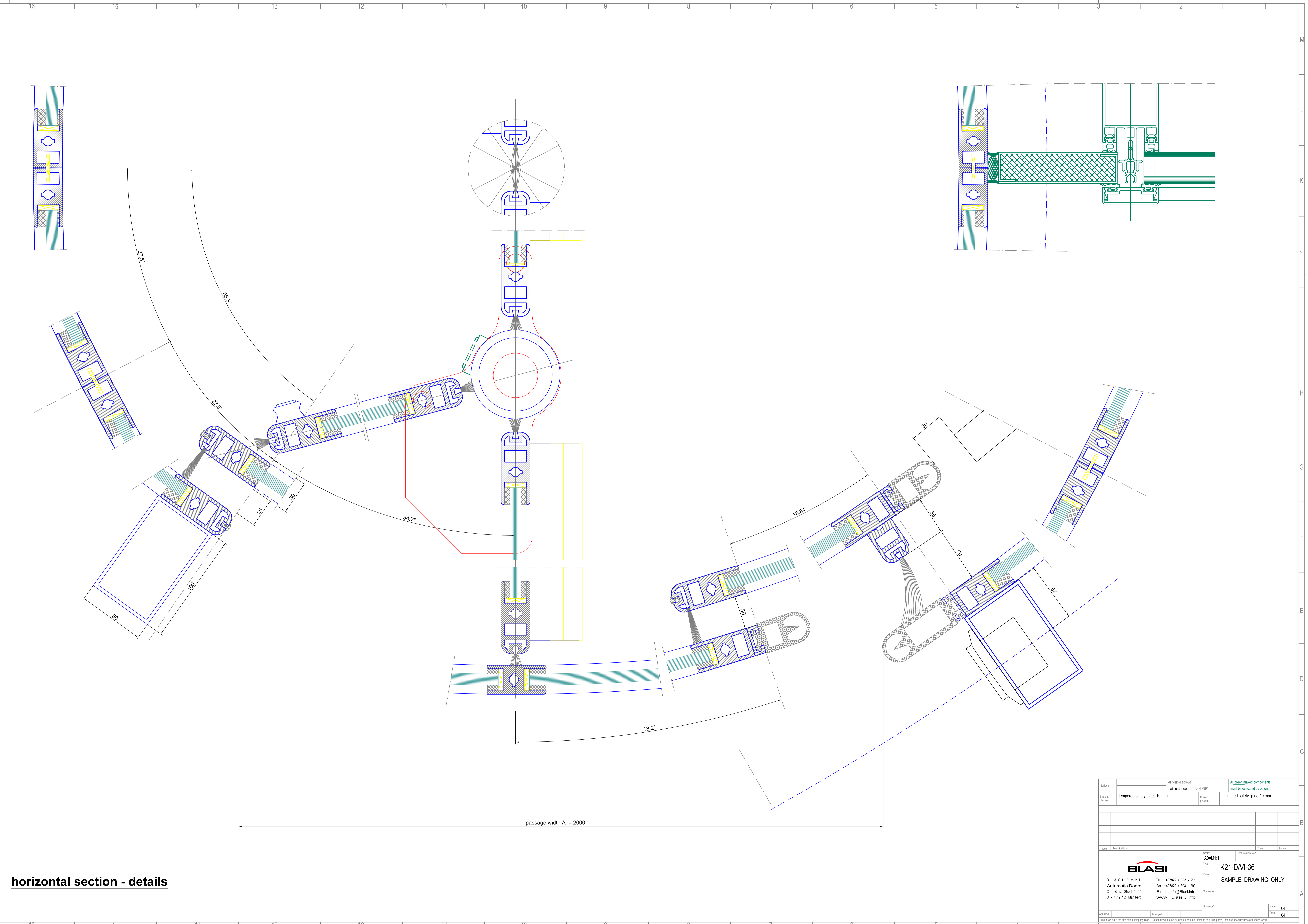
B L A S I G m b H
 Automatic Doors
 Carl-Benz-Street 5-15
 D - 77972 Mannheim
 Tel. +497822 / 893 - 291
 Fax. +497822 / 893 - 299
 E-mail: info@blasi.info
 www. Blasi . info

Checked: Arranged: This drawing is the property of the company Blasi. It is not allowed to be duplicated or to be resold to a third party. Technical modifications are under reserve.



front elevation - outside

Surface:	All visible surfaces 304 s/s (DIN 7991)	All green marked components must be executed by others!!!
Straight glasses:	tempered safety glass 10 mm	Curved glasses: laminated safety glass 10 mm
Notes:	Modifications:	Scale: A0=1:10 Type: K21-D/VI-36 Confirmation No.: Date: Name:
BLASI B L A S I G m b H Carl-Benz-Street 5-15 D - 77972 Mannheim		Tel. +497822 / 893 - 291 Fax. +497822 / 893 - 299 E-mail: info@blasi.info www. Blasi . info
Checked:	Arranged:	Project: SAMPLE DRAWING ONLY Contractor: Drawing No.: Page: 03 From: 04



horizontal section - details

Surface:	All visible surfaces stainless steel (DIN 7991)	All green marked components must be executed by others!!!	
Straight glasses:	tempered safety glass 10 mm	Curved glasses:	laminated safety glass 10 mm
Notes:	Modifications:	Scale:	Confirmation No.:
		A0=M1:1 Type:	Date:
B L A S I G m b H Automatic Doors Carl-Benz-Street 5-15 D - 77972 Mannheim		Tel. +497822 / 893 - 291 Fax. +497822 / 893 - 299 E-mail: info@blasi.info www. blasi . info	Project: K21-D/VI-36 Confirmation No.: Date:
Checked:	Arranged:	Page:	04
This drawing is the property of the company Blasi. It is not allowed to be duplicated or to be resold to a third party. Technical modifications are under reserve.		Drawing No.:	Page: 04 From: 04