

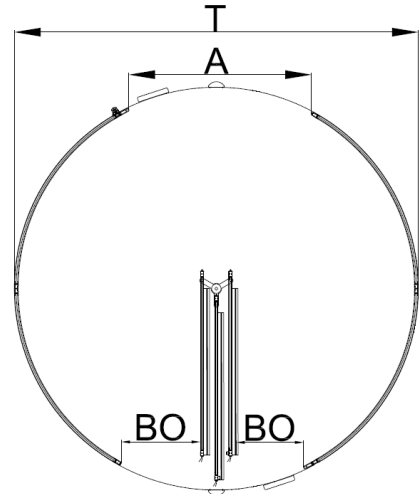
3 & 4 wing revolving door

Technical Data Sheet “Break-Out”

K31 turnstile with break-out / Q 1800 > Q 3300 mm :

| Formula to calculate the value « UP » | | |
|---------------------------------------|----------------------|------------|
| « Q » [mm] | Formula | Tolerances |
| 1800 à 3300 | $(A - 215) : 2 = BO$ | +/- 4% |

« A » = Passage width



K31 turnstile with break-out / Q 3301 > Q 8000 mm :

Q 3800 à Q 5699 = 2 UP (*)

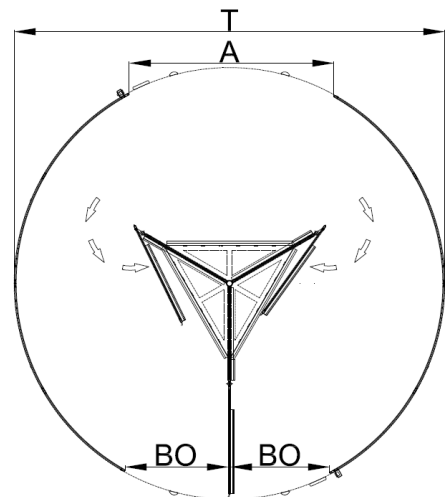
Q 5700 à Q 7199 = 4 UP (*)

Q 7200 à Q 8000 = 6 UP (*)

(*) regarding France ONLY

| Formula to calculate the value « UP » | | |
|---------------------------------------|---------------------|------------|
| « Q » [mm] | Formula | Tolerances |
| 3301 à 8000 | $(A - 30) : 2 = BO$ | +/- 4% |

« A » = Passage width



3 & 4 wing revolving door

Technical Data Sheet “Break-Out”

K31 turnstile and external drum wall with Break-Out / Q 2400 > Q 3300 mm :

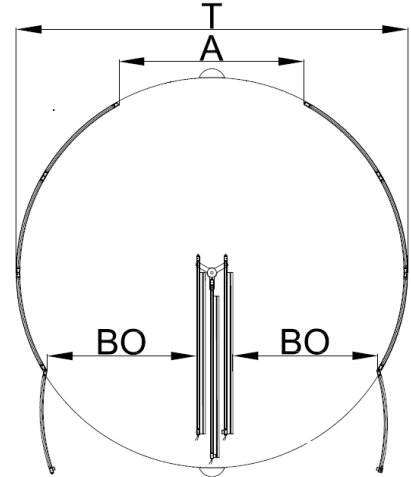
Q 2400 à Q 2999 = 1 UP (*)

Q 3000 à Q 3300 = 2 UP (*)

(*) regarding France ONLY

| Formula to calculate the value « UP » | | |
|---------------------------------------|----------------------------|------------|
| « Q » [mm] | Formula | Tolerances |
| 2400 à 3300 | $(A - 215) : 2 + 500 = BO$ | +/- 4% |

« A » = Passage width



K31 turnstile and external drum wall with Break-Out / Q 3301 > 7199 :

Q 3301 à Q 3799 = 2 UP (*)

Q 3800 à Q 4899 = 3 UP (*)

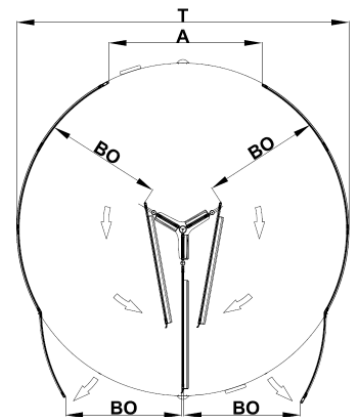
Q 4900 à Q 5699 = 4 UP (*)

Q 6000 à Q 7199 = 5 UP (*)

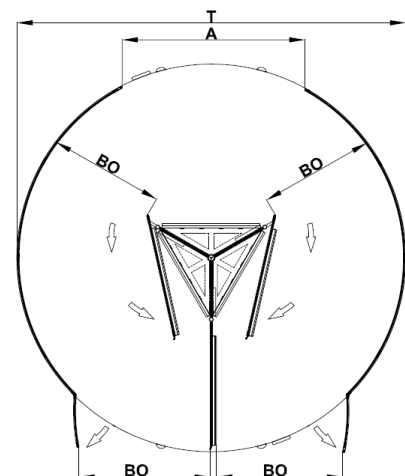
(*)regarding only France

| Formula to calculate the value « UP » | | |
|---------------------------------------|-----------------------|------------|
| « Q » [mm] | Formula | Tolerances |
| 3301 à 3700 | $(Q : 2) - 760 = BO$ | +/- 4% |
| 3701 à 4100 | $(Q : 2) - 570 = BO$ | +/- 4% |
| 4101 à 4800 | $(Q : 2) - 770 = BO$ | +/- 4% |
| 4801 à 6000 | $(Q : 2) - 1070 = BO$ | +/- 4% |
| 6001 à 6500 | $(Q : 2) - 1320 = BO$ | +/- 4% |
| 6501 à 7199 | $(Q : 2) - 1560 = BO$ | +/- 4% |

« Q » = Outside diameter canopy pelmet



From Ø 3301 up to 4000mm



From Ø 4001 up to 7199mm

3 & 4 wing revolving door

Technical Data Sheet “Break-Out”

K41 turnstile with Break-Out / Q 3300 > Q 8000 mm :

Q 3300 à Q 4799 = 2 UP (*)

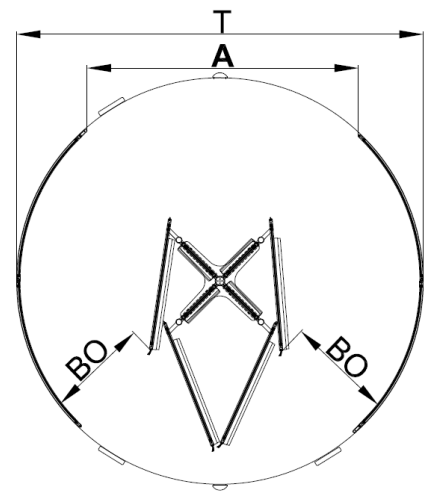
Q 4800 à Q 6199 = 4 UP (*)

Q 6200 à Q 8000 = 6 UP (*)

(*) regarding France ONLY

| Formula to calculate the value « UP » | | |
|---------------------------------------|------------------------|------------|
| « Q » [mm] | Formula | Tolerances |
| 3300 à 4200 | $A \times 0,3975 = BO$ | +/- 4% |
| 4201 à 5600 | $A \times 0,391 = BO$ | +/- 4% |
| 5601 à 6600 | $A \times 0,399 = BO$ | +/- 4% |
| 6601 à 7100 | $A \times 0,384 = BO$ | +/- 4% |
| 7101 à 7600 | $A \times 0,358 = BO$ | +/- 4% |
| 7601 à 8000 | $A \times 0,3396 = BO$ | +/- 4% |

« A » = Passage width



3 & 4 wing revolving door

Technical Data Sheet “Break-Out”

[Overview > REGARDING FRANCE ONLY:](#)

| « UP » | K31 turnstile and external drum wall with Beak-Out | K31 turnstile with Break-Out | K41 turnstile with Break-Out |
|--------|--|------------------------------|------------------------------|
| 1 UP | Q 2400 à Q 2999 | | |
| 2 UP | Q 3000 à Q 3799 | Q 3800 à Q 5699 | Q 3300 à Q 4799 |
| 3 UP | Q 3800 à Q 4899 | | |
| 4 UP | Q 4900 à Q 5699 | Q 5700 à Q 7199 | Q 4800 à Q 6199 |
| 5 UP | Q 600 à Q 7199 | | |
| 6 UP | | Q 7200 à Q 8000 | Q 6200 à Q 8000 |

The mentioned UP takes account of the 5% tolerance for the calculation of the UP, authorized by the article CO44 of the security regulation E.R.P.

The minimal restricted values are:

- 0,90 x 0,95 = 0,855 m for 1 passage unit
- 1,4 x 0,95 = 1,33 m for 2 passage units
- 1,8 x 0,95 = 1,71 m for 3 passage units
- 2,4 x 0,95 = 2,28 m for 4 passage units
- 3 x 0,95 = 2,85 m for 5 passage units
- 3,6 x 0,95 = 3,42 m for 6 passage units

For revolving doors with diameter less than 3000 mm, the exit must be considered as a secondary exit disregarding the number of persons using it (Standard CO41).

CONTACT:

BLASI GmbH
Automatic doors
Carl-Benz-Str. 5 – 15
77972 Mahlberg / Germany

Tél.: +49 7822 893-0
Fax: +49 7822 893-119

Email: sales@blasi.info
Web: www.blasi.info



NOTE: BLASI reserves the right for technical or content alterations without pre-notification at any time.