

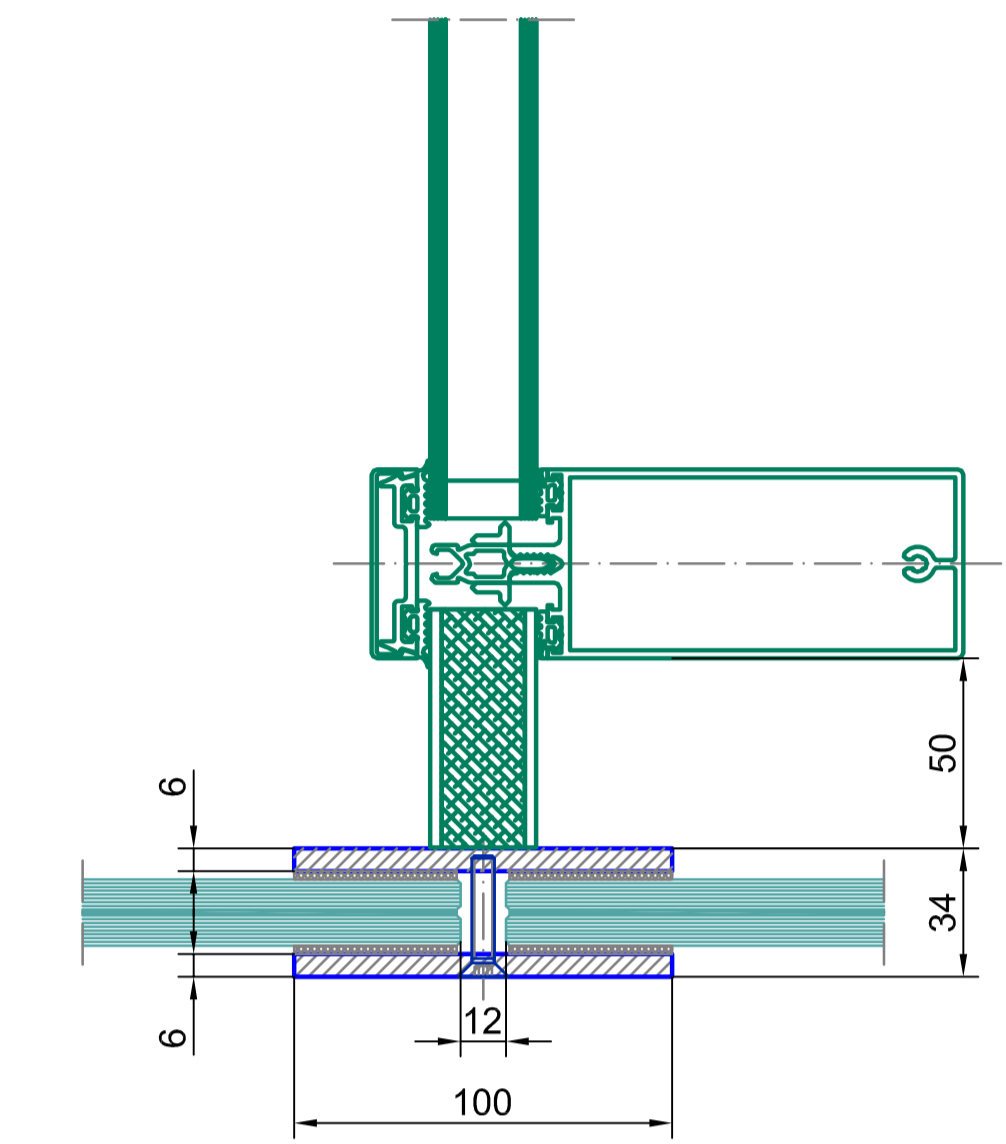
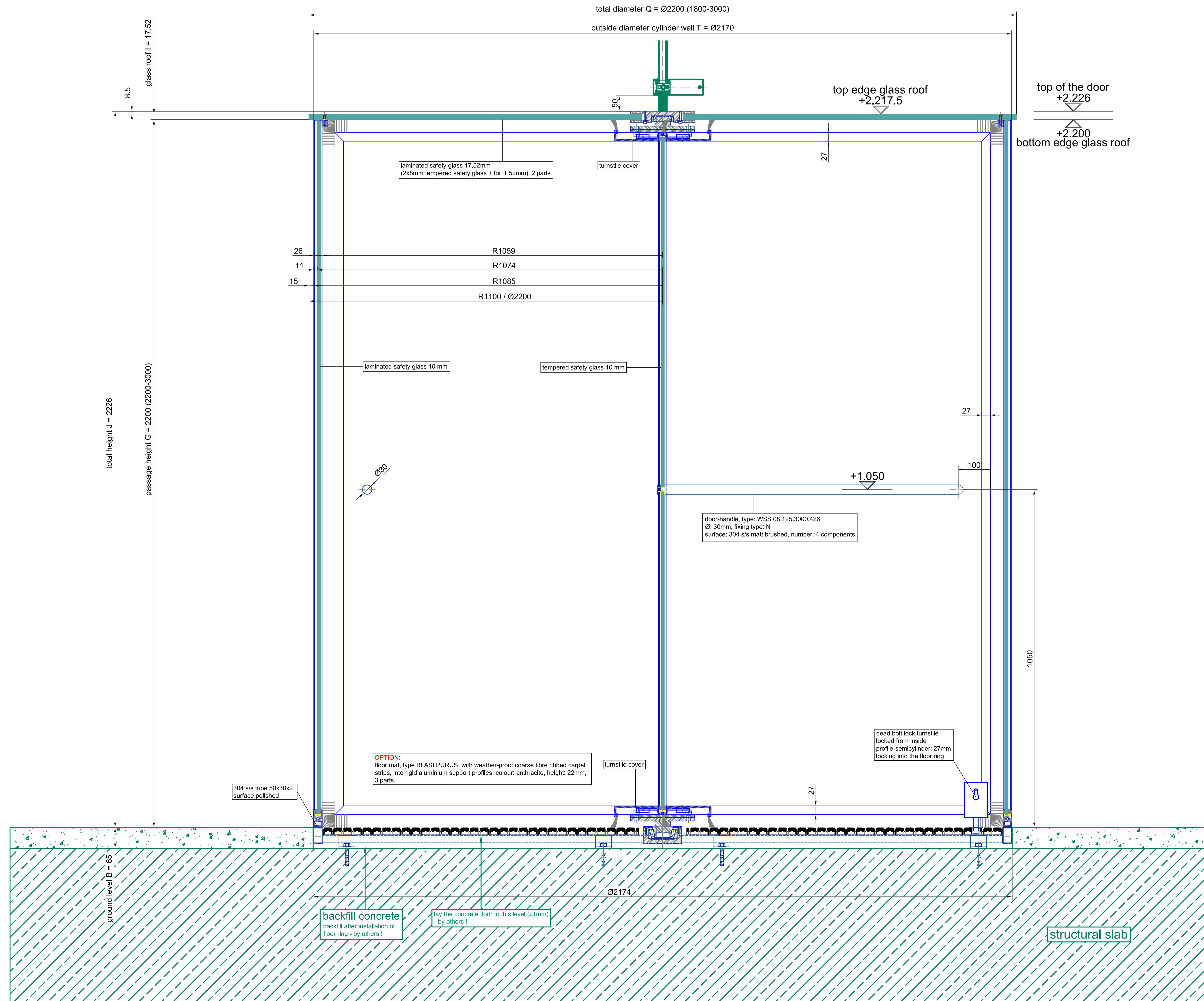
# vertical section

outside

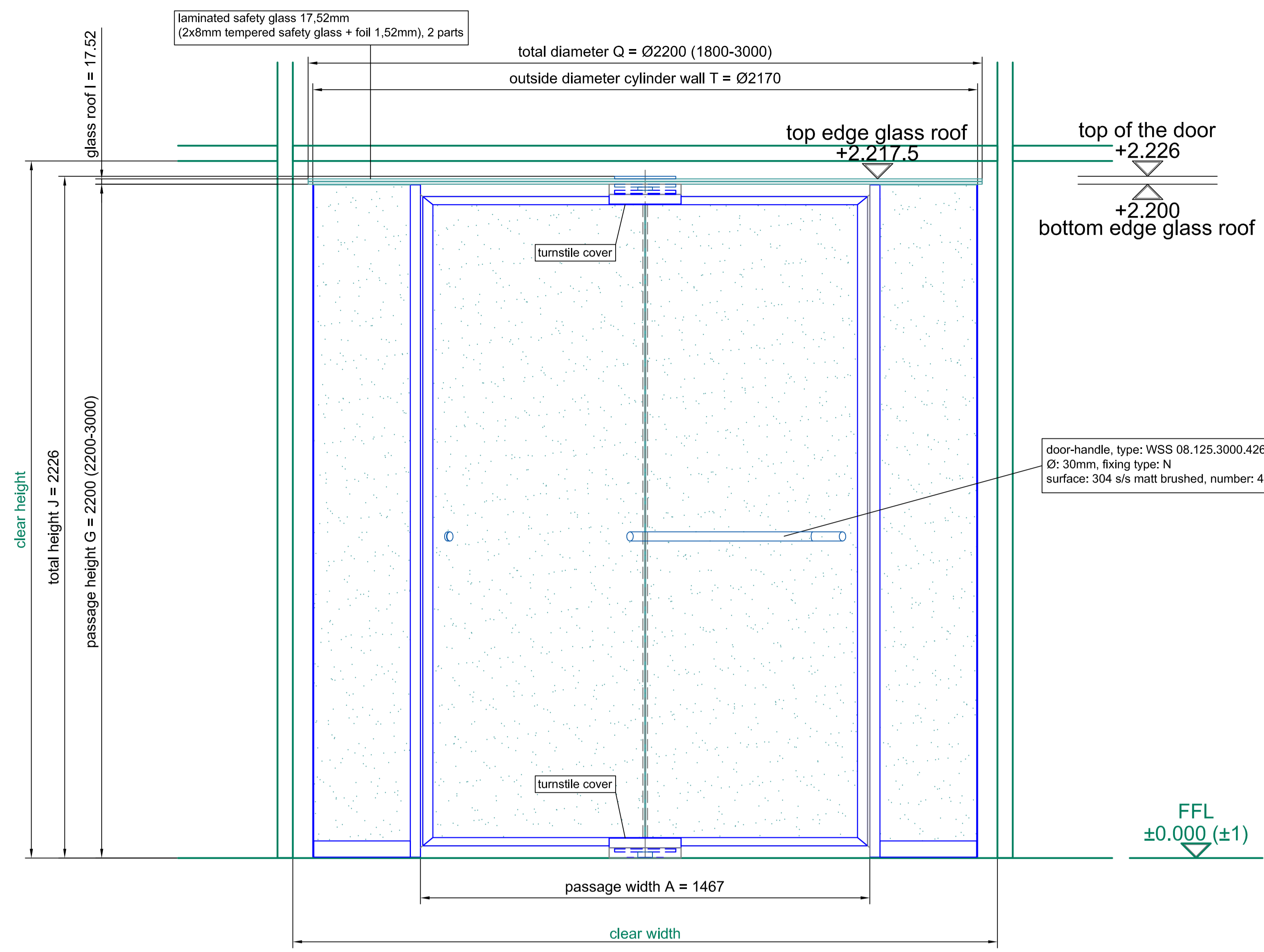
inside

# vertical section - beside middle bearing

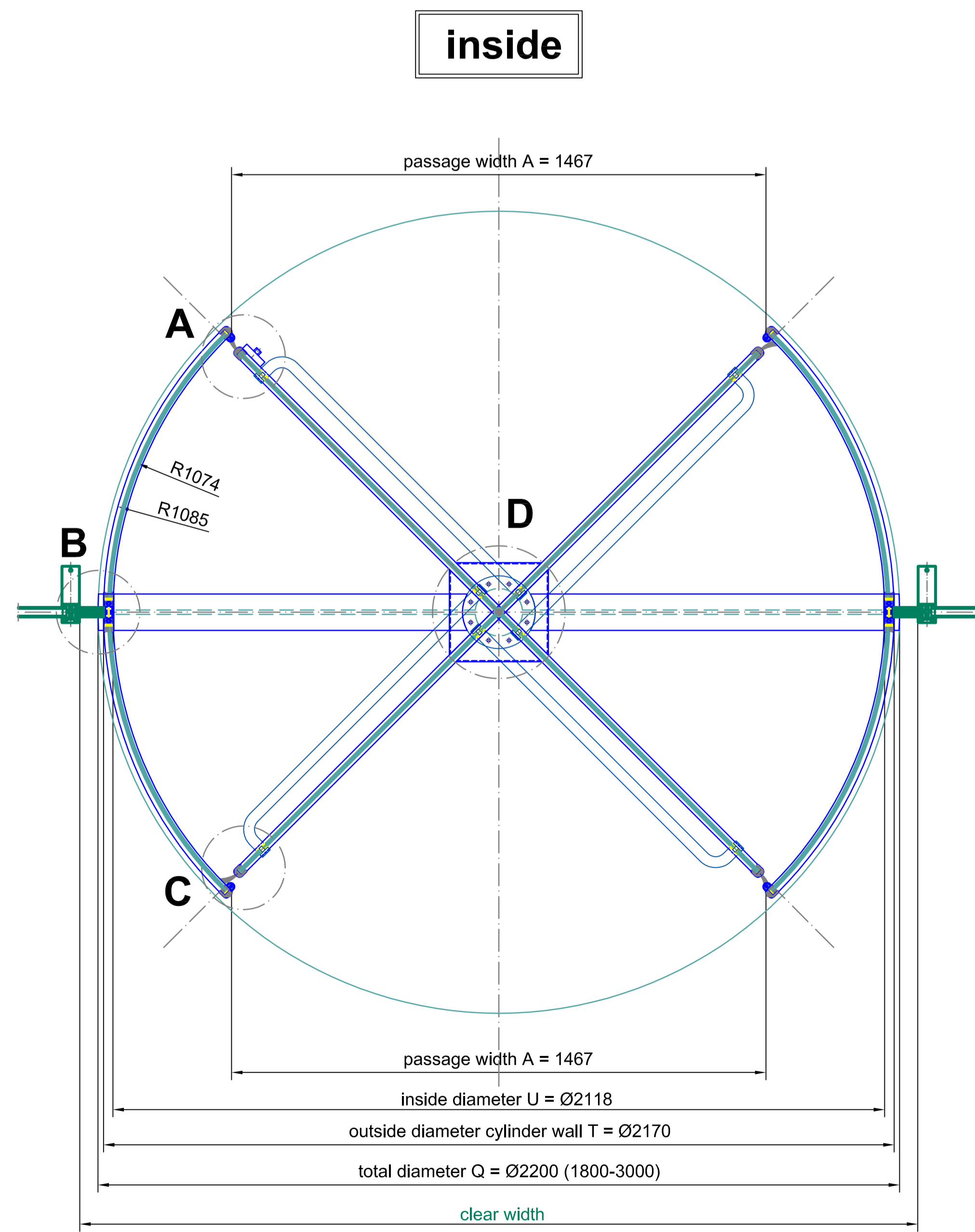
A0 - M 1:2



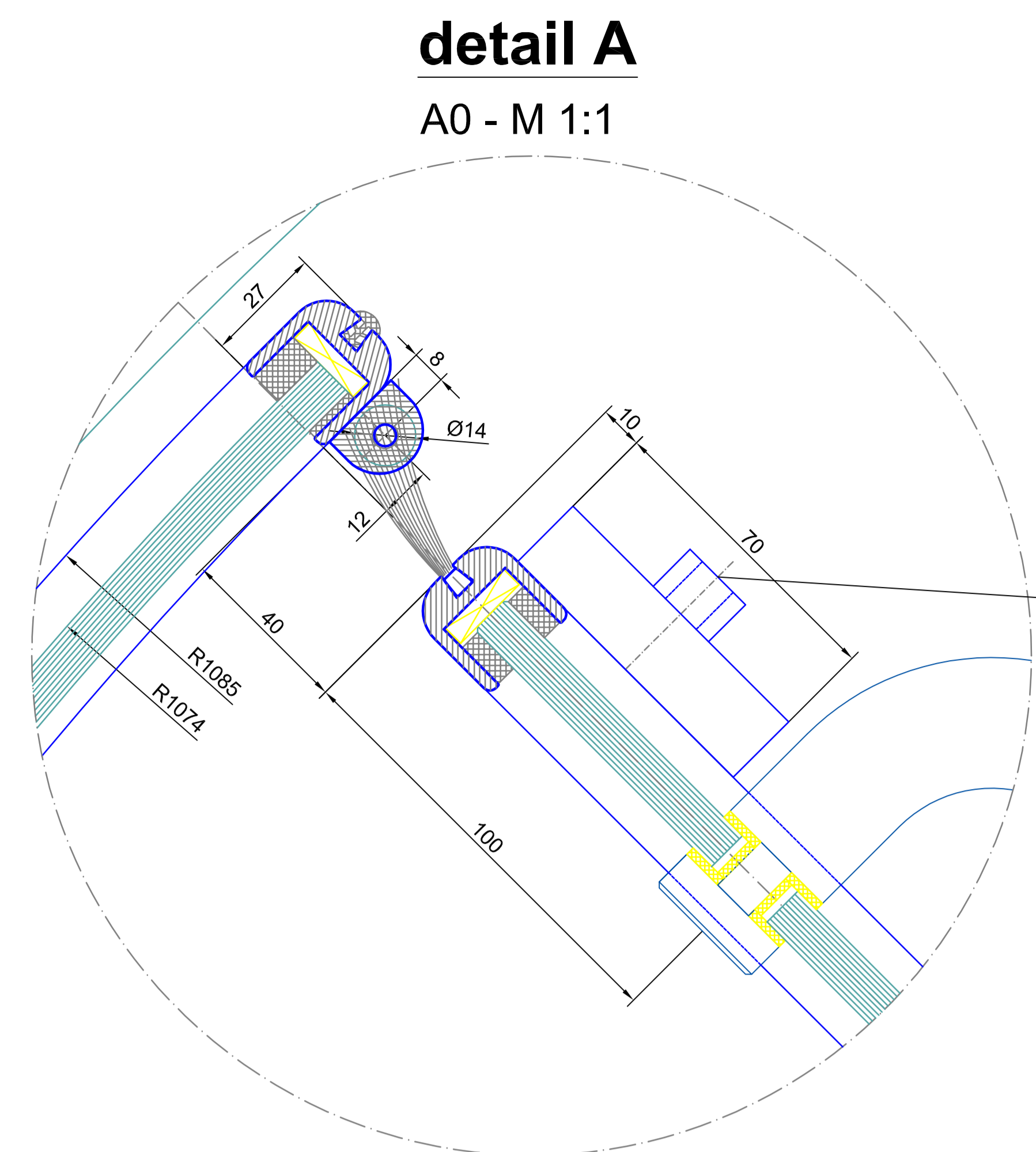
Surface:	All visible screws 304 s/s ( DIN 7991 )	All green marked components must be executed by others!!!
Drainage:	tempered safety glass 10 mm	laminated safety glass 10 mm
Notes:	Modifications:	Date: Name:
<p><b>BLASI</b></p> <p>B L A S I G m b H Automatic Doors Caf-Benz-Street 5-15 D - 77972 Malsberg</p> <p>Tel: +497822 / 893 - 291 Fax: +497822 / 893 - 299 E-mail: info@Blasi.info www.Blasi.info</p>		<p>Scale: A0-M 1:5</p> <p>Type: K41-M-22 Vitro</p> <p>Project: SAMPLE DRAWING ONLY</p> <p>Contractor:</p> <p>Drawing No.: 01</p> <p>Page: 02</p>



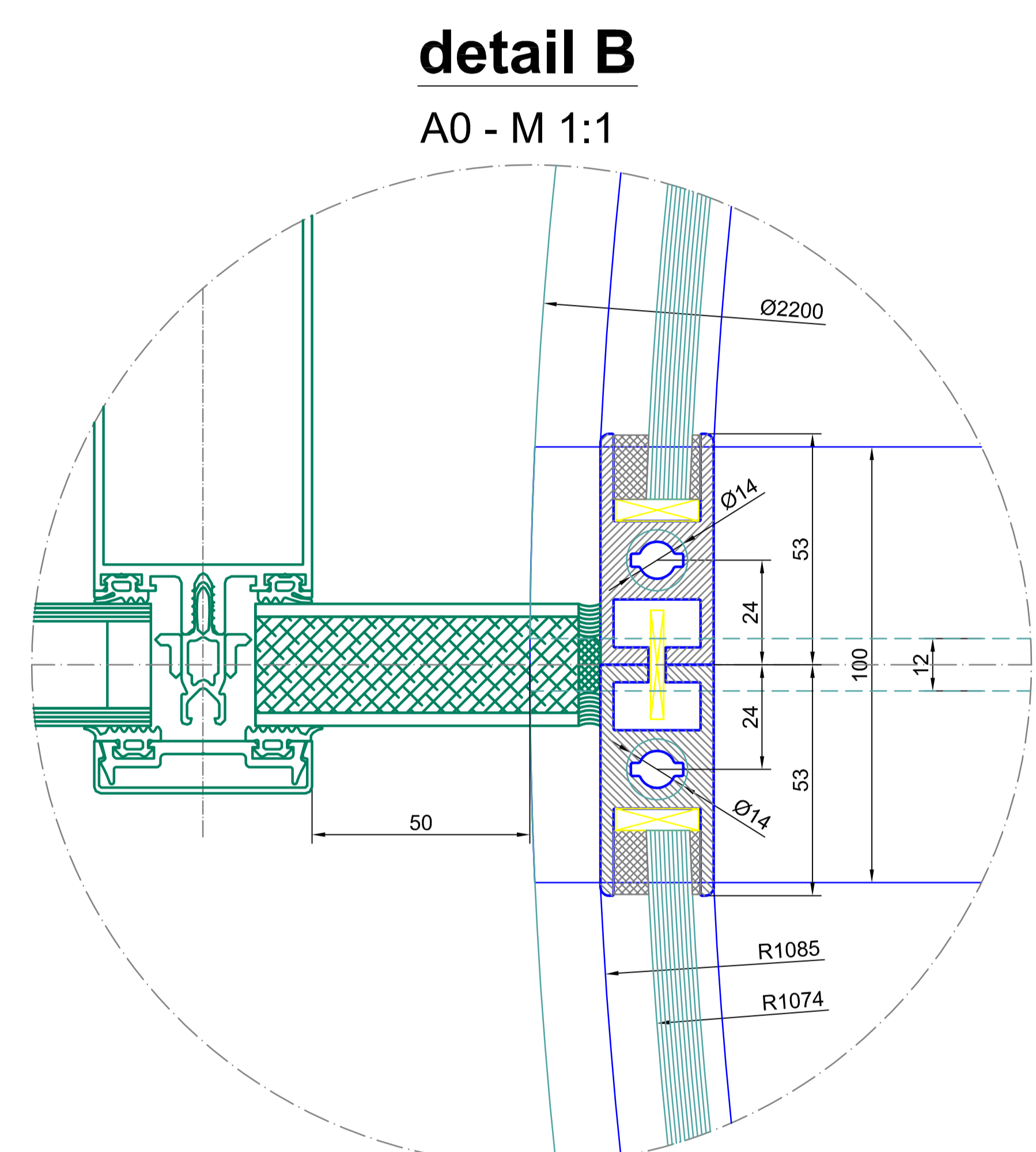
front elevation - outside



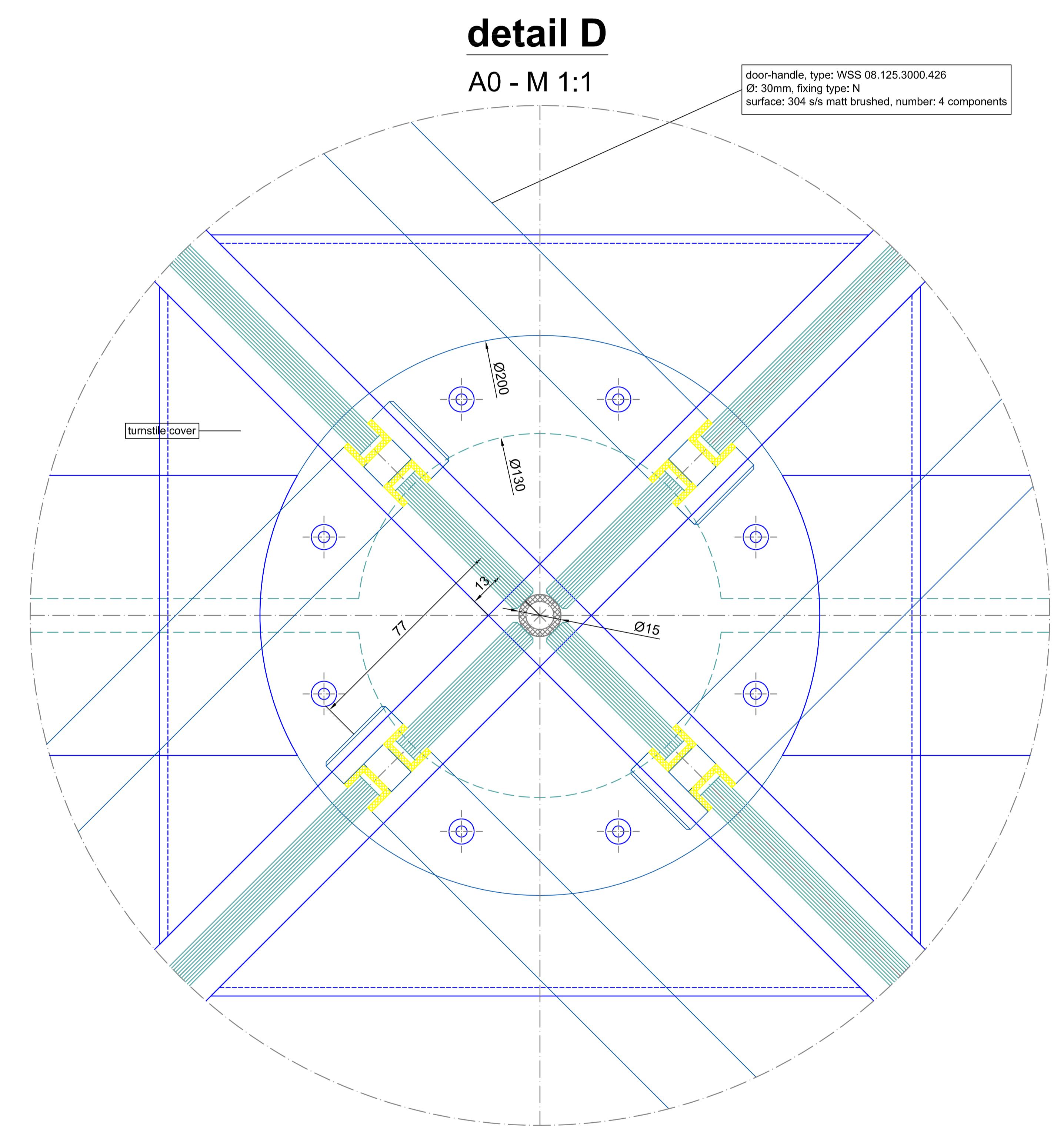
plan view



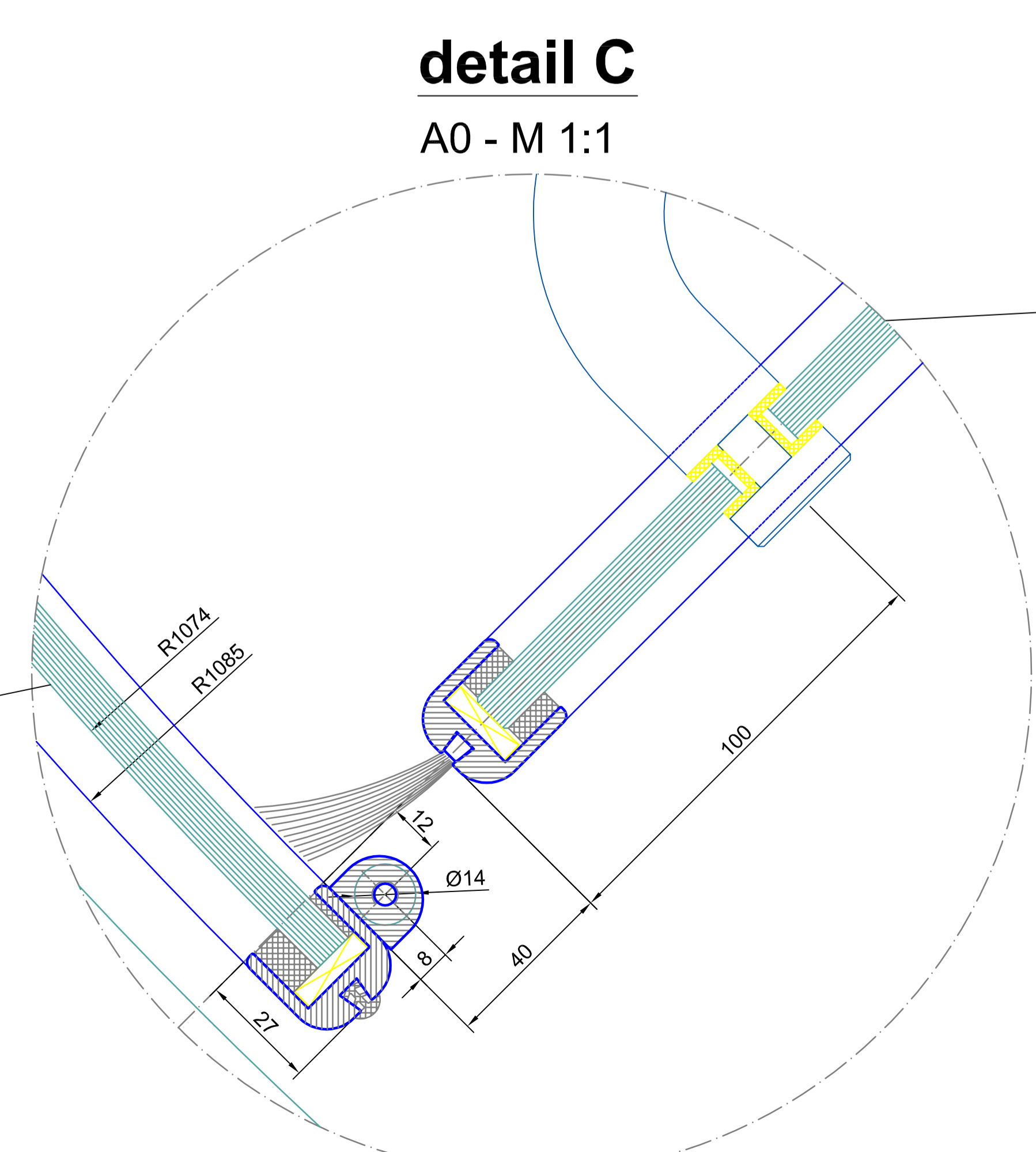
detail A  
A0 - M 1:1



detail B  
A0 - M 1:1



detail D  
A0 - M 1:1



detail C  
A0 - M 1:1

Surface:	All visible screws 304 s/s (DNV 7991)	All green marked components must be executed by others!!!
Straight glass:	tempered safety glass 10 mm	tempered safety glass 10 mm
Curved glass:		laminated safety glass 10 mm
Notes:	Modifications	Date Name
		Scale: A0 - M 1:1 Type: K41-M-22 Vitro Project: SAMPLE DRAWING ONLY Drawing No.: Page: 02 From: 02
B L A S I G m b H Automatic Doors Cef-Benz-Street 5-15 D - 77972 Malsberg	Tel: +497022 / 893 - 291 Fax: +497022 / 893 - 290 E-mail: info@Blasi.info www. Blasi . info	Contract: Drawing No.: Page: 02 From: 02