

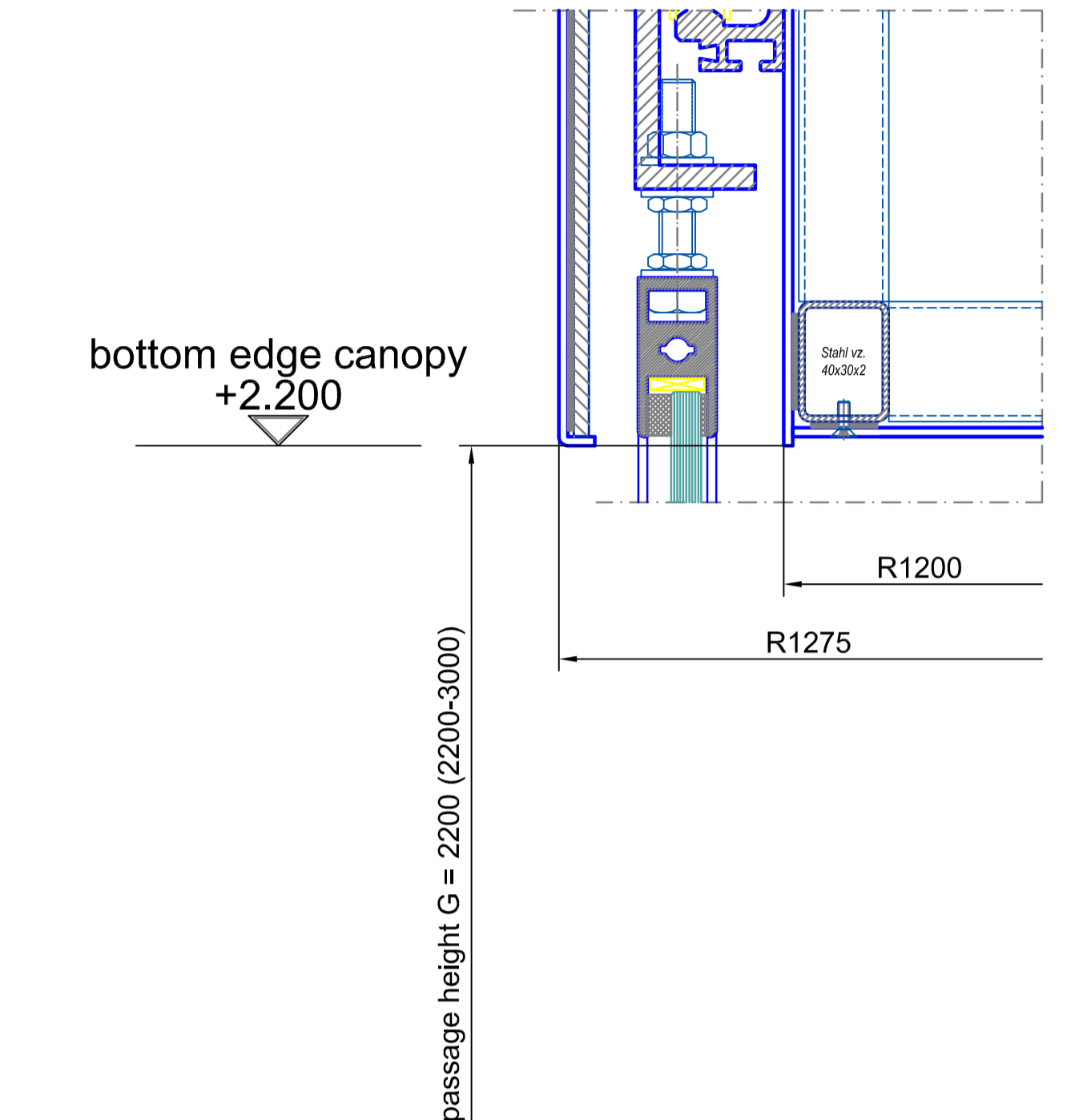
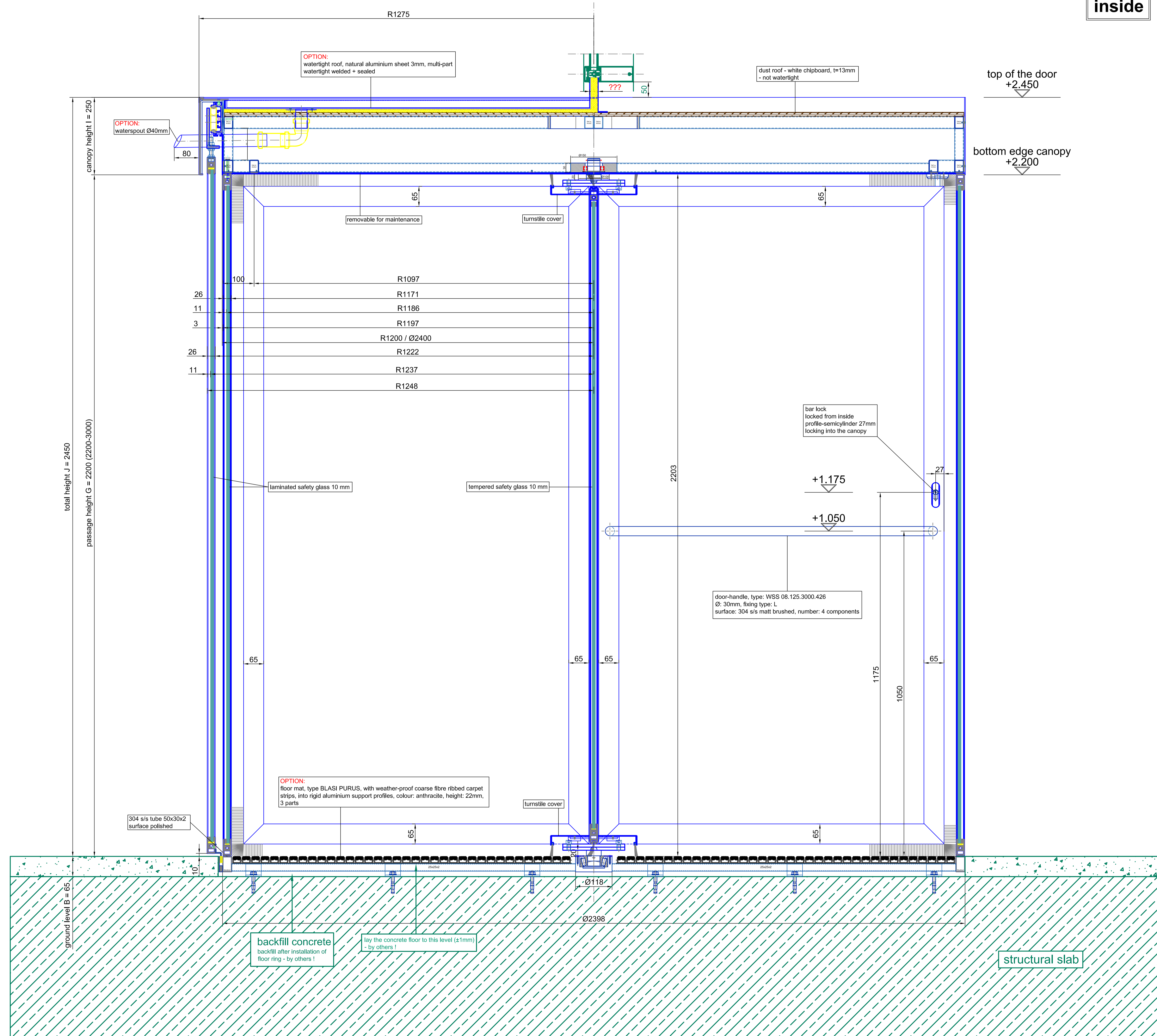
vertical section

vertical section - passage area

A0 - M 1:2

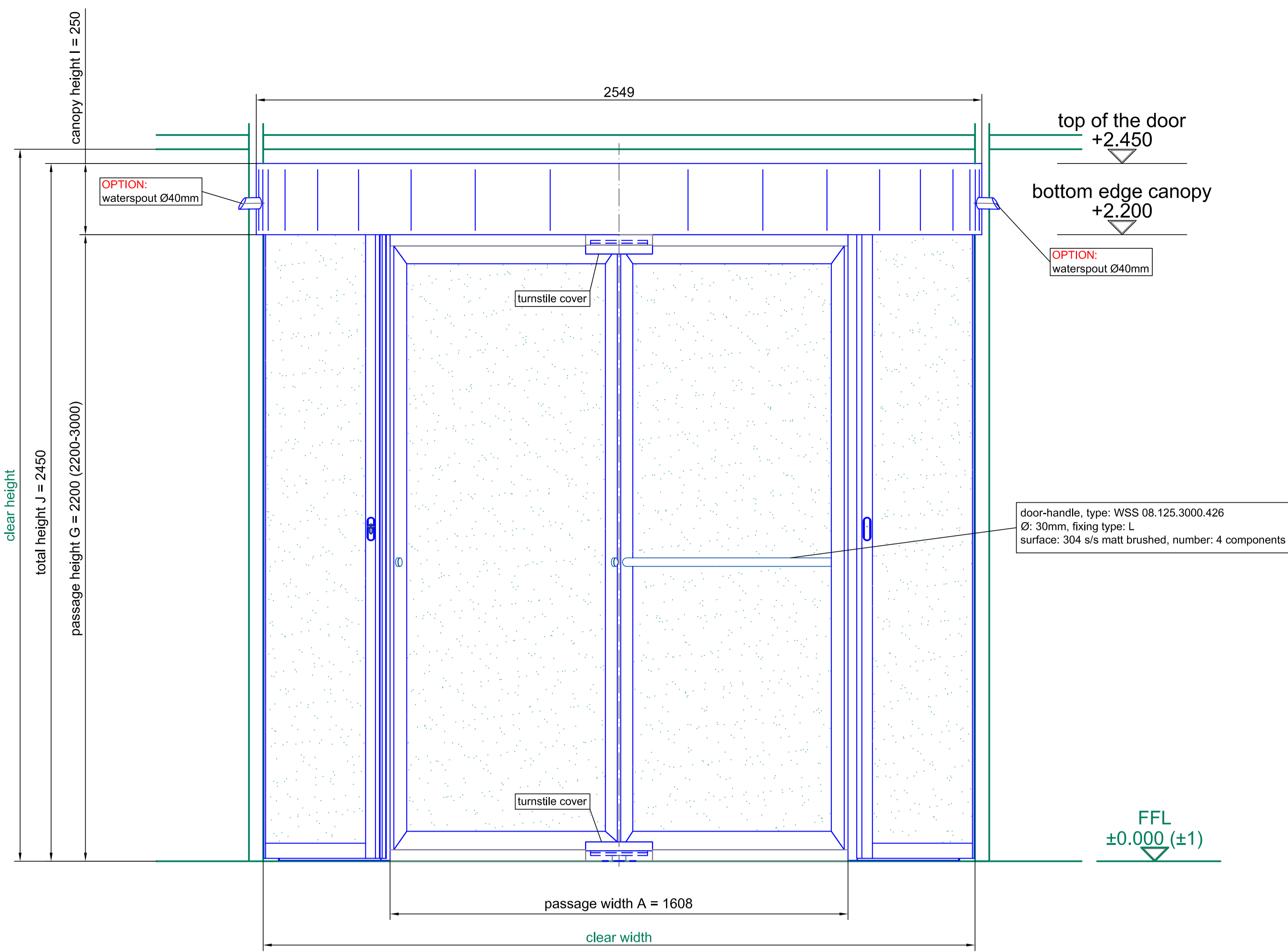
outside

inside

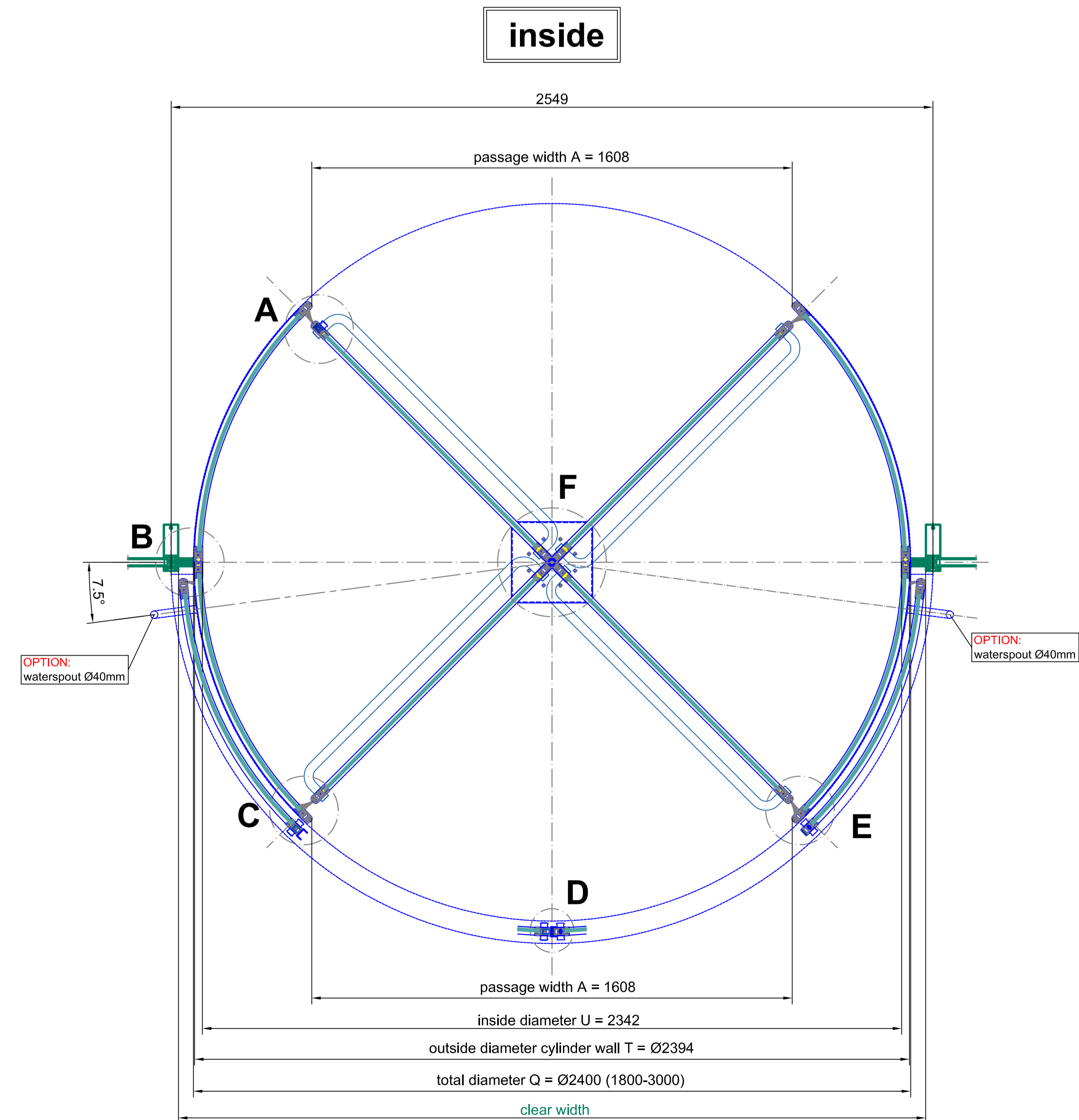


FFL
±0.000 (±1)
SSL
-0.065 (±1)

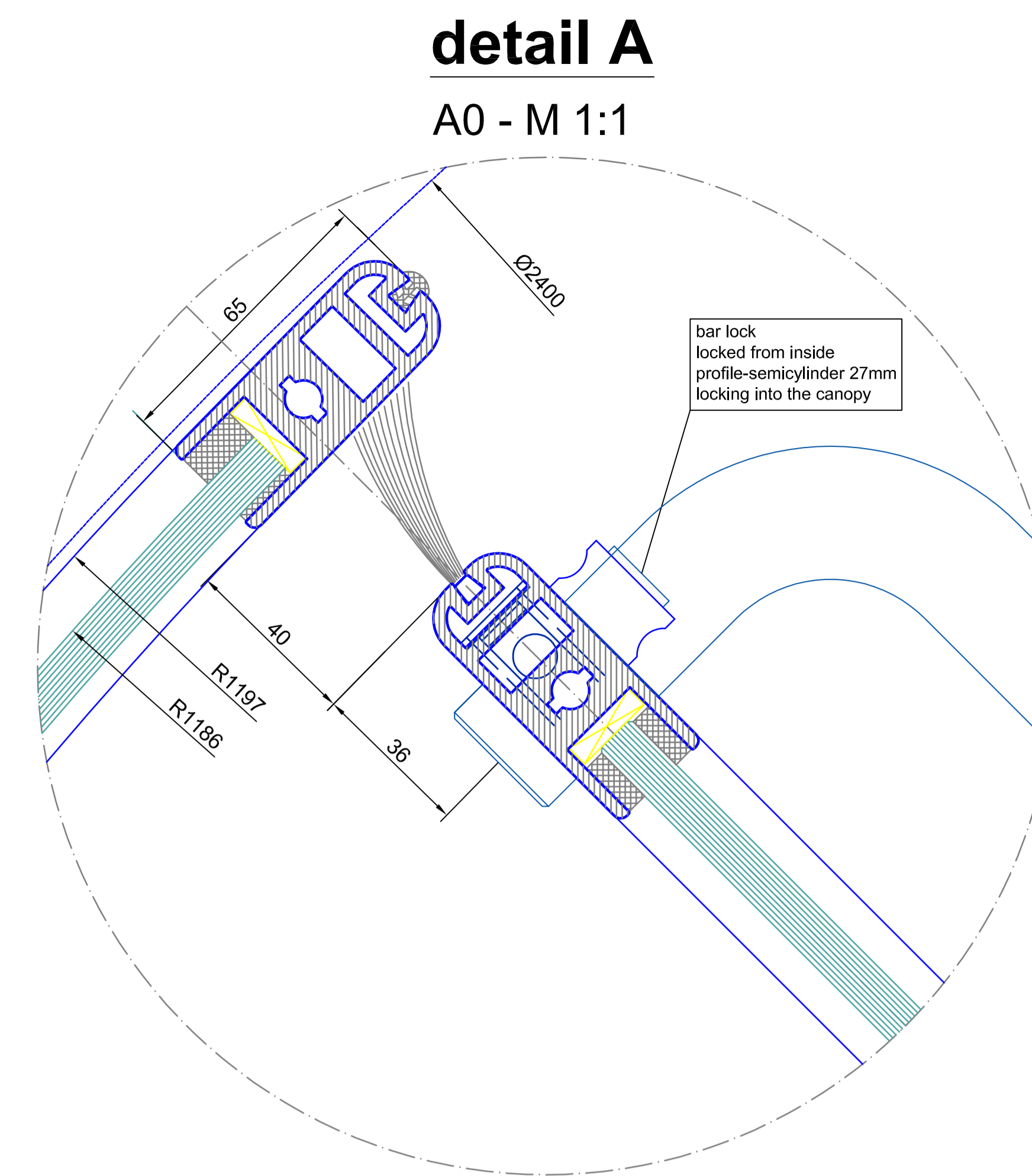
Surface	All visible surfaces 304 s/s (DIN 7997)	All green marked components must be executed by others!!!
Single glass	tempered safety glass 10 mm	laminated safety glass 10 mm
Door	Material	Confirmation No.
Scale	A0 = M 1:5	Project
BLASI	K41-MNMA-24	SAMPLE DRAWING ONLY
B L A S I G m b H Automatic Doors Carl-Benz-Str. 4-15 D - 77972 Malburg	Tel: +497822 / 893 - 291 Fax: +497822 / 893 - 299 E-mail: info@blasi.info www.blasi.info	Sheet No. 01 Total 02



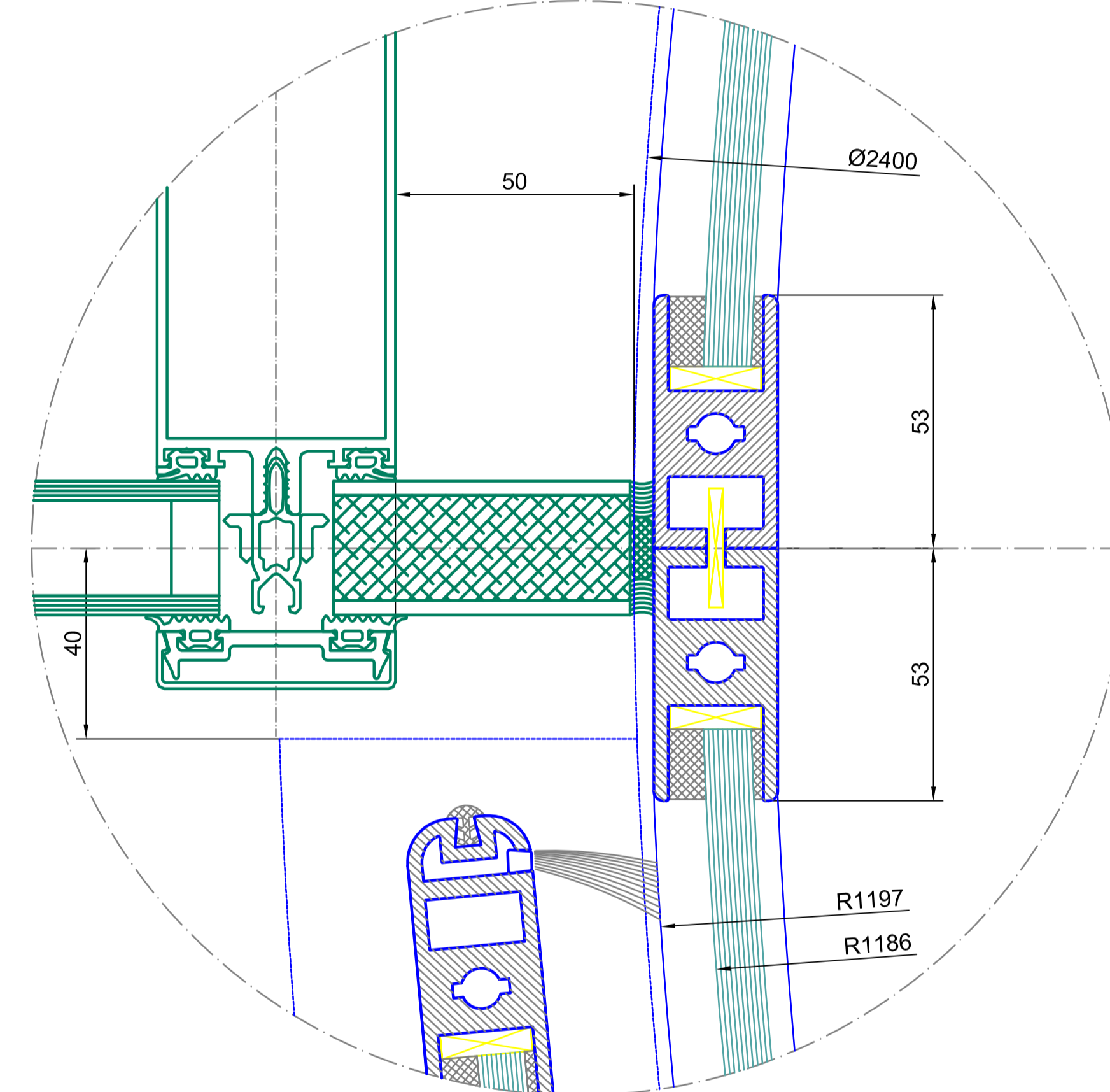
front elevation - outside



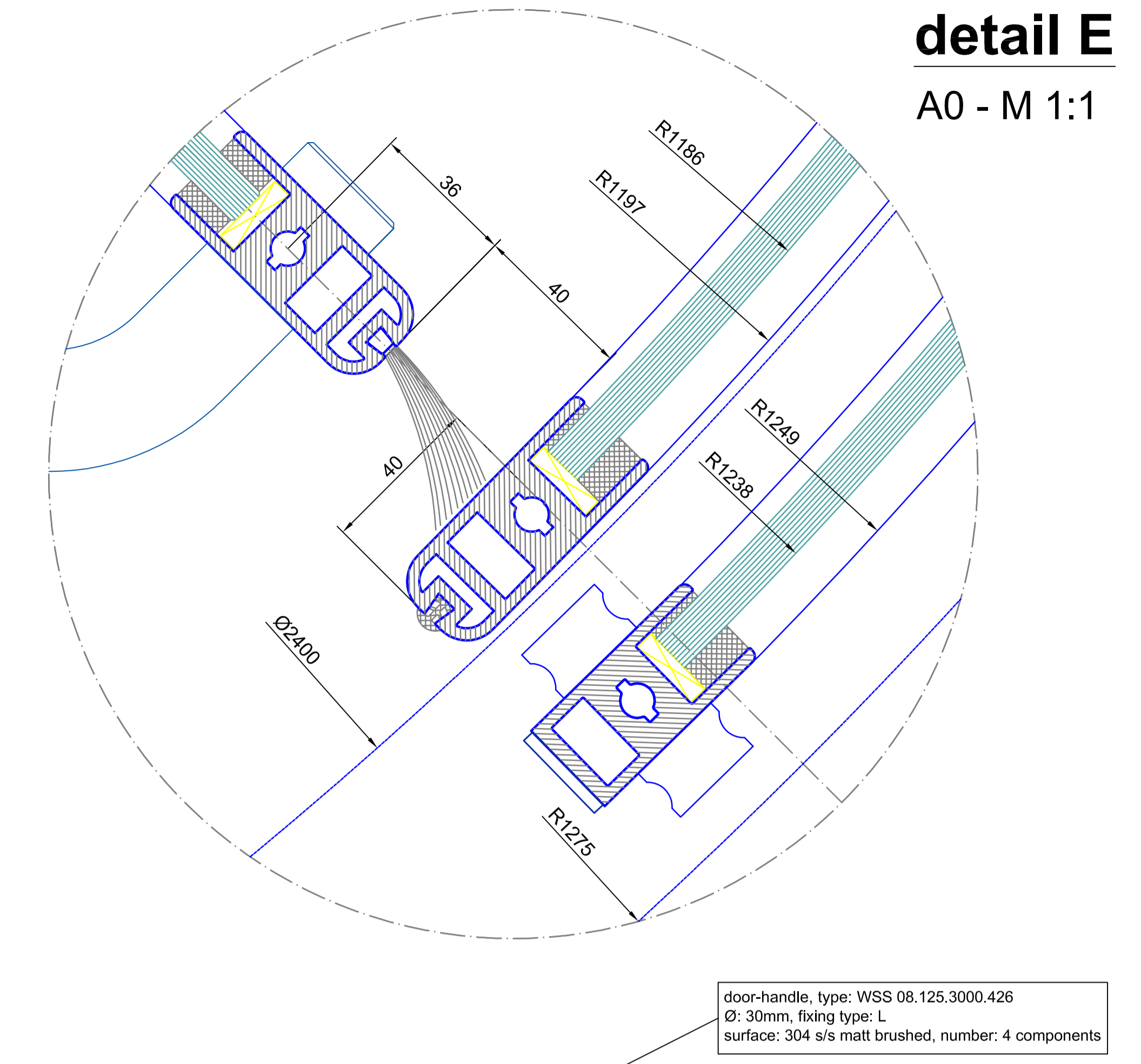
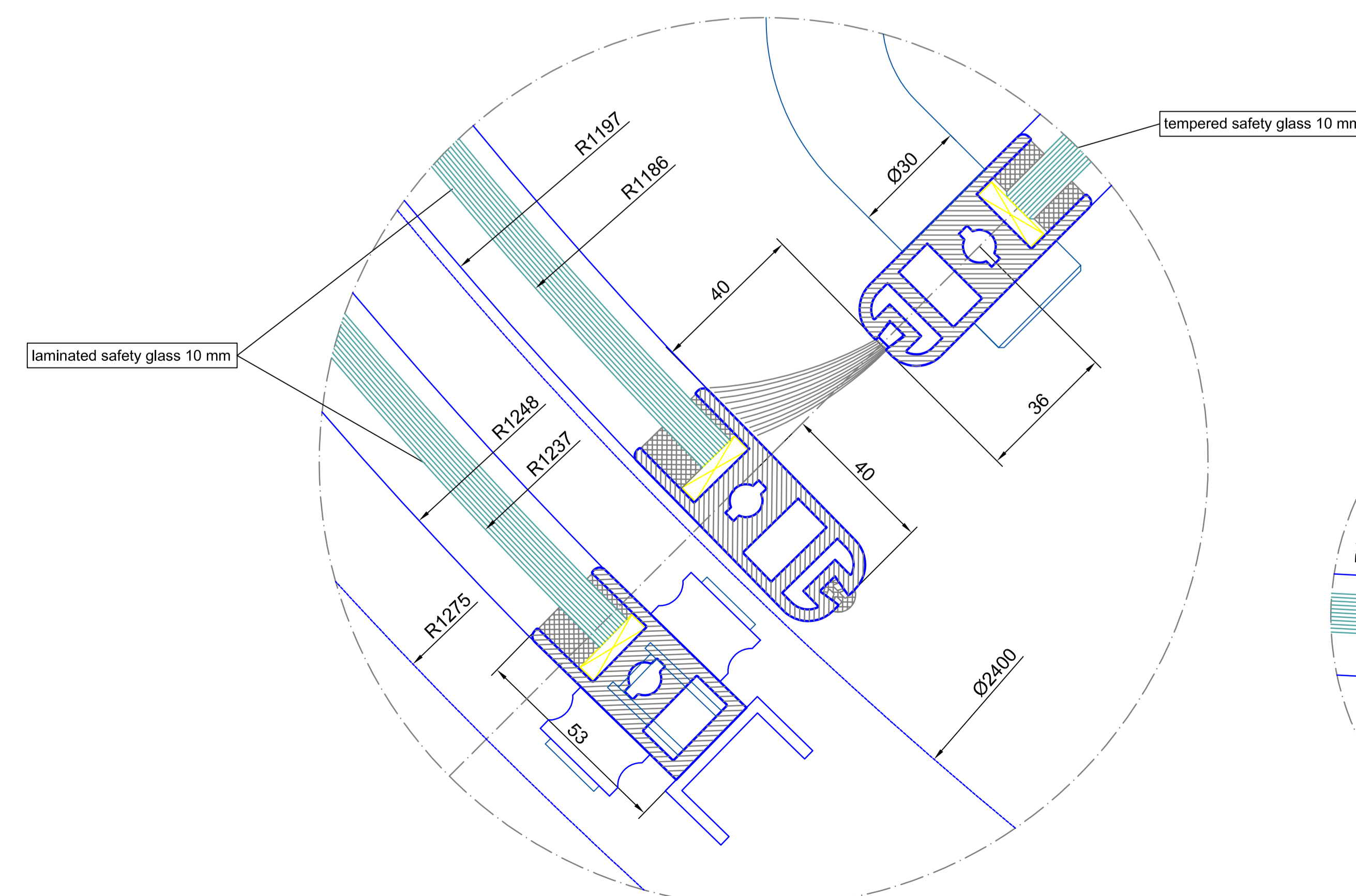
plan view



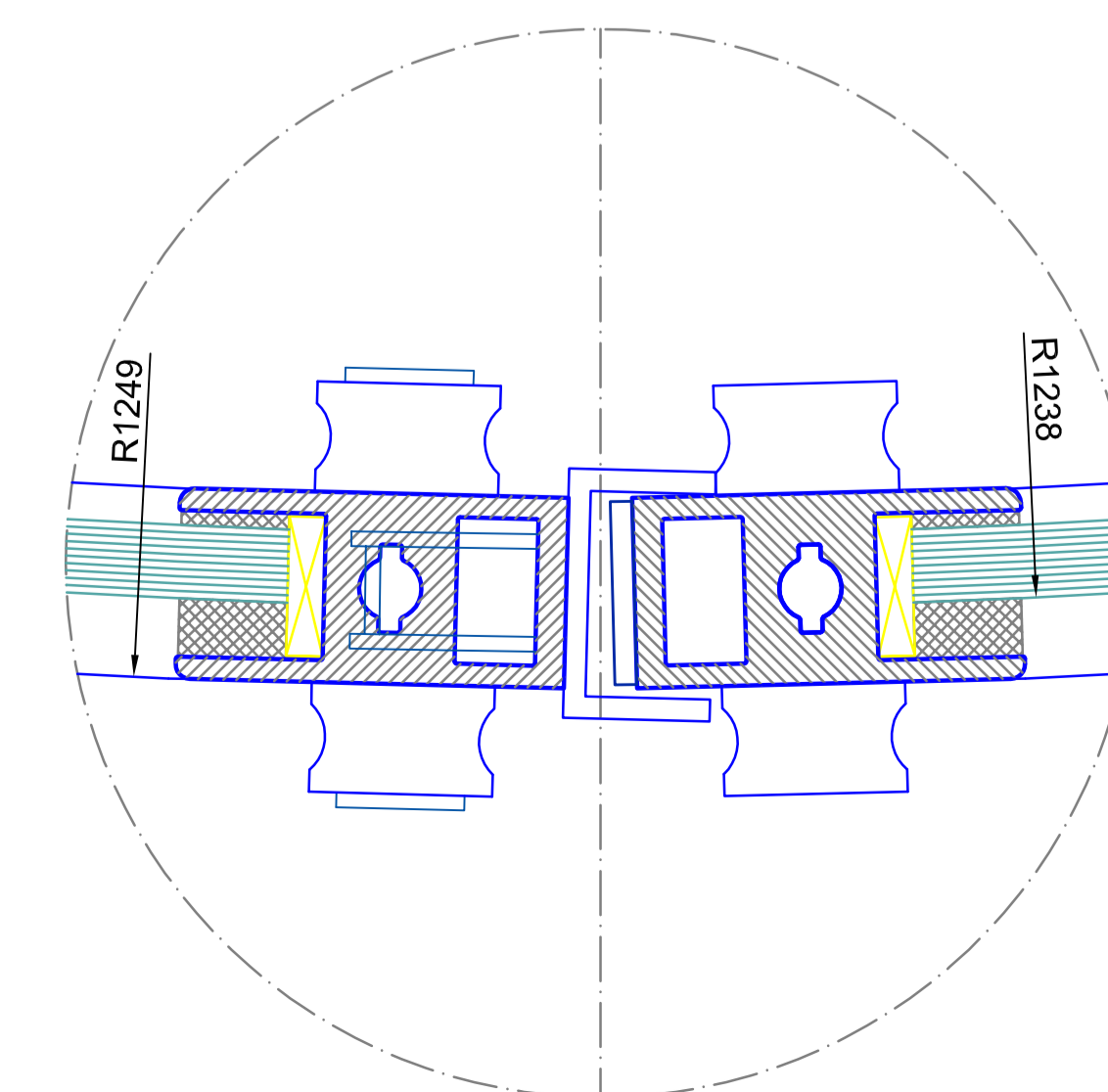
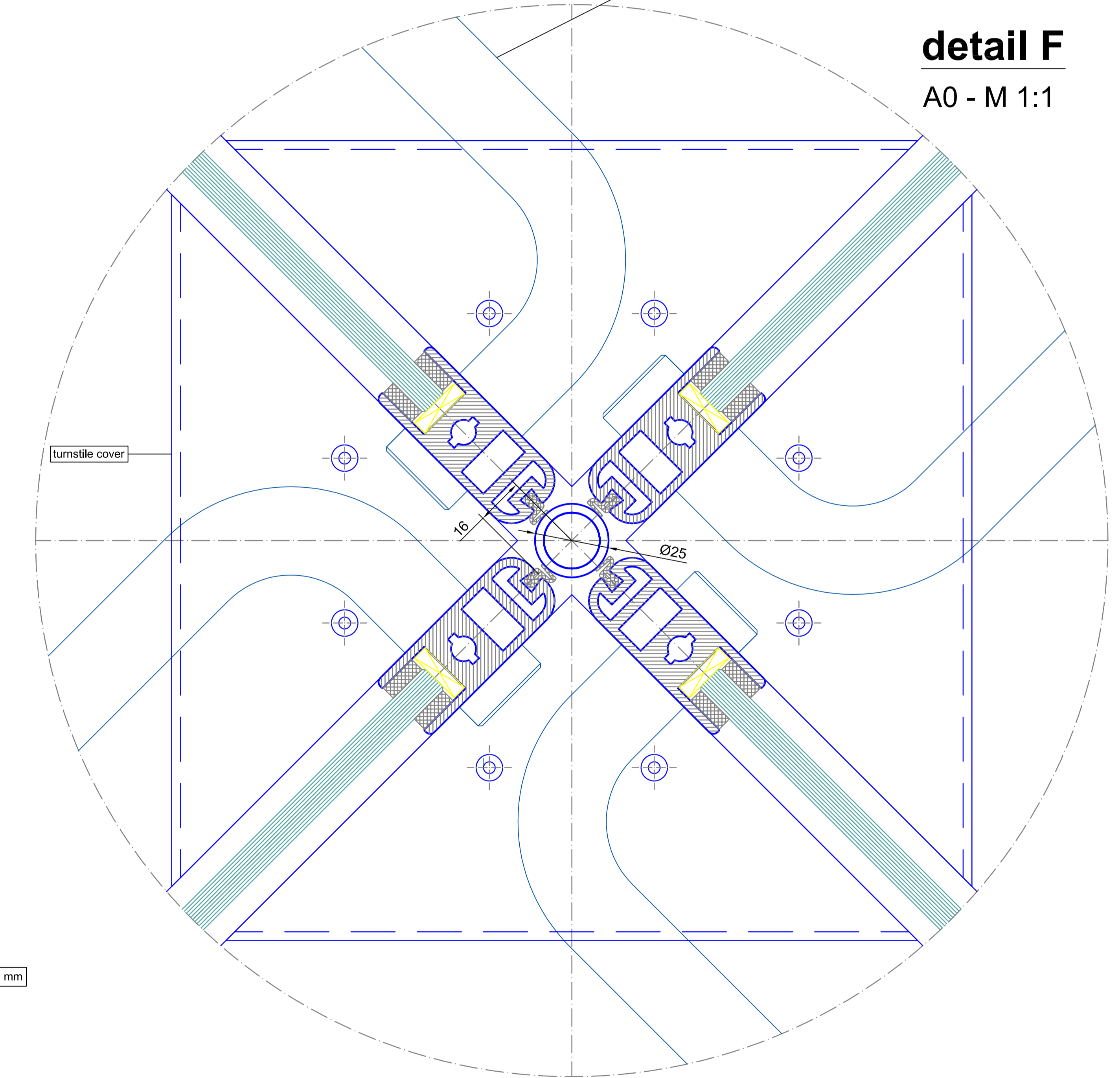
detail B
A0 - M 1:1



detail C
A0 - M 1:1



detail F
A0 - M 1:1



detail D
A0 - M 1:1

Surface:	All visible surfaces	304 s/s	(DIN 7997)	All green marked components must be executed by others!!!
Single glass:	tempered safety glass 10 mm	Corner glass:		laminated safety glass 10 mm
Scale:	A0 = M 1:10		Confirmation No.:	
Project:	K41-M/NMA-24		Date:	
Client:	B L A S I G m b H		Form:	
Address:	Carl-Benz-Str. 5-15		Project:	SAMPLE DRAWING ONLY
City:	D-77972 Mannheim		Drawing No.:	
Website:	www.Blasir.info		Page:	02
Phone:	+497822 / 893 - 291		From:	02
Fax:	+497822 / 893 - 299			
Email:	info@Blasir.info			
Technical modifications are under reserve.				