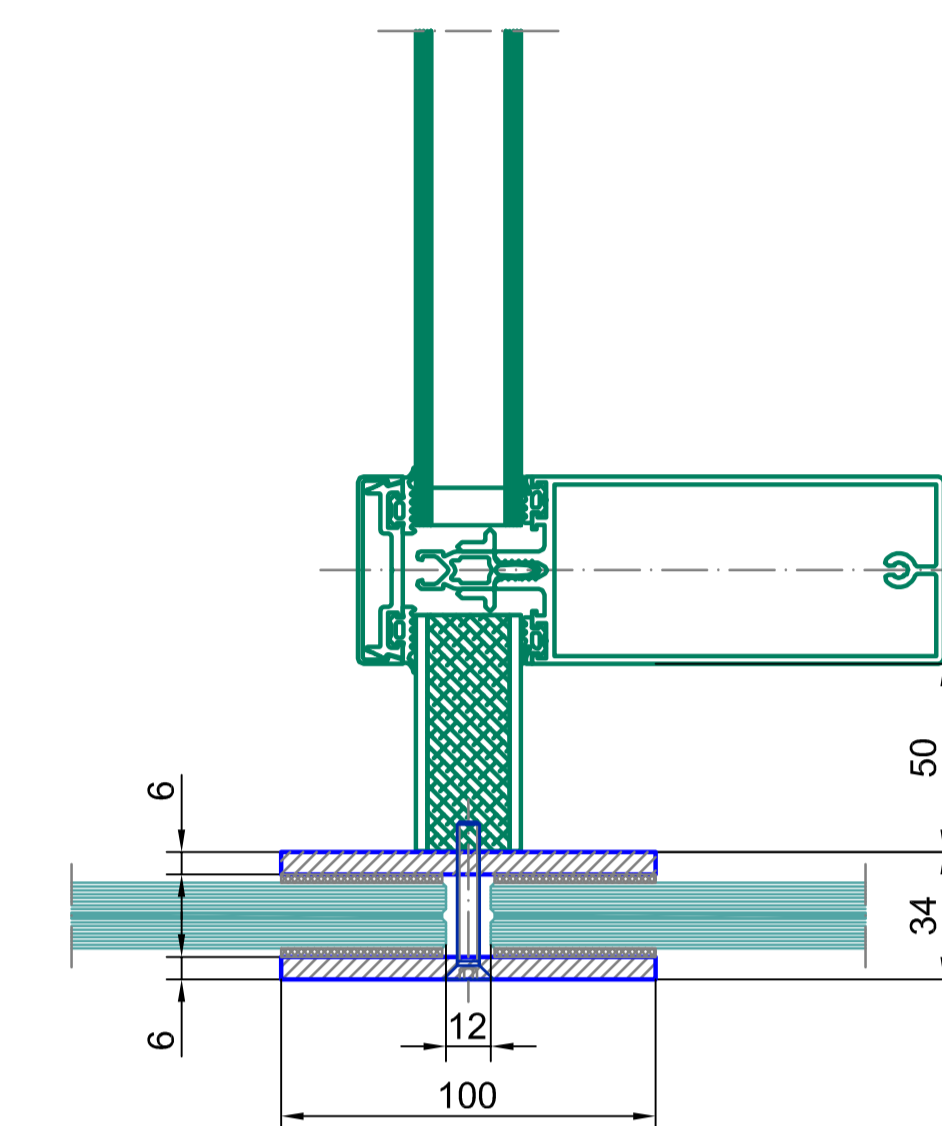


vertical section

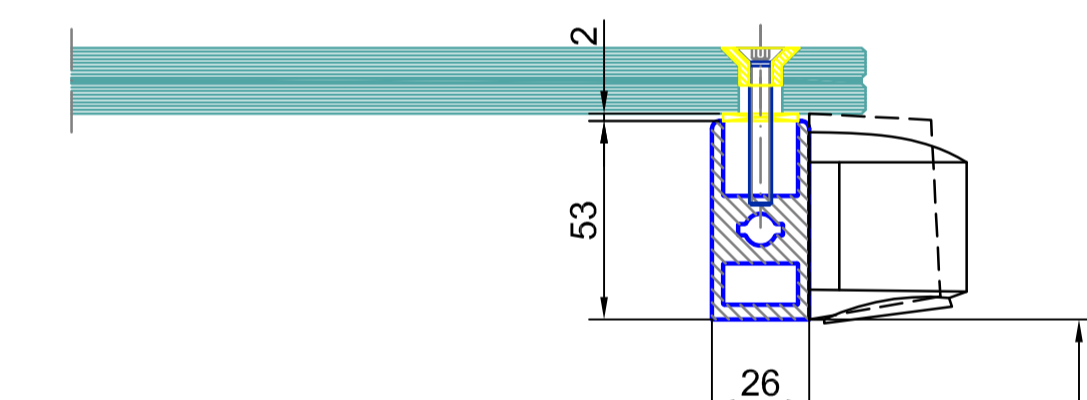
vertical section - beside middle bearing

A0 - M 1:2



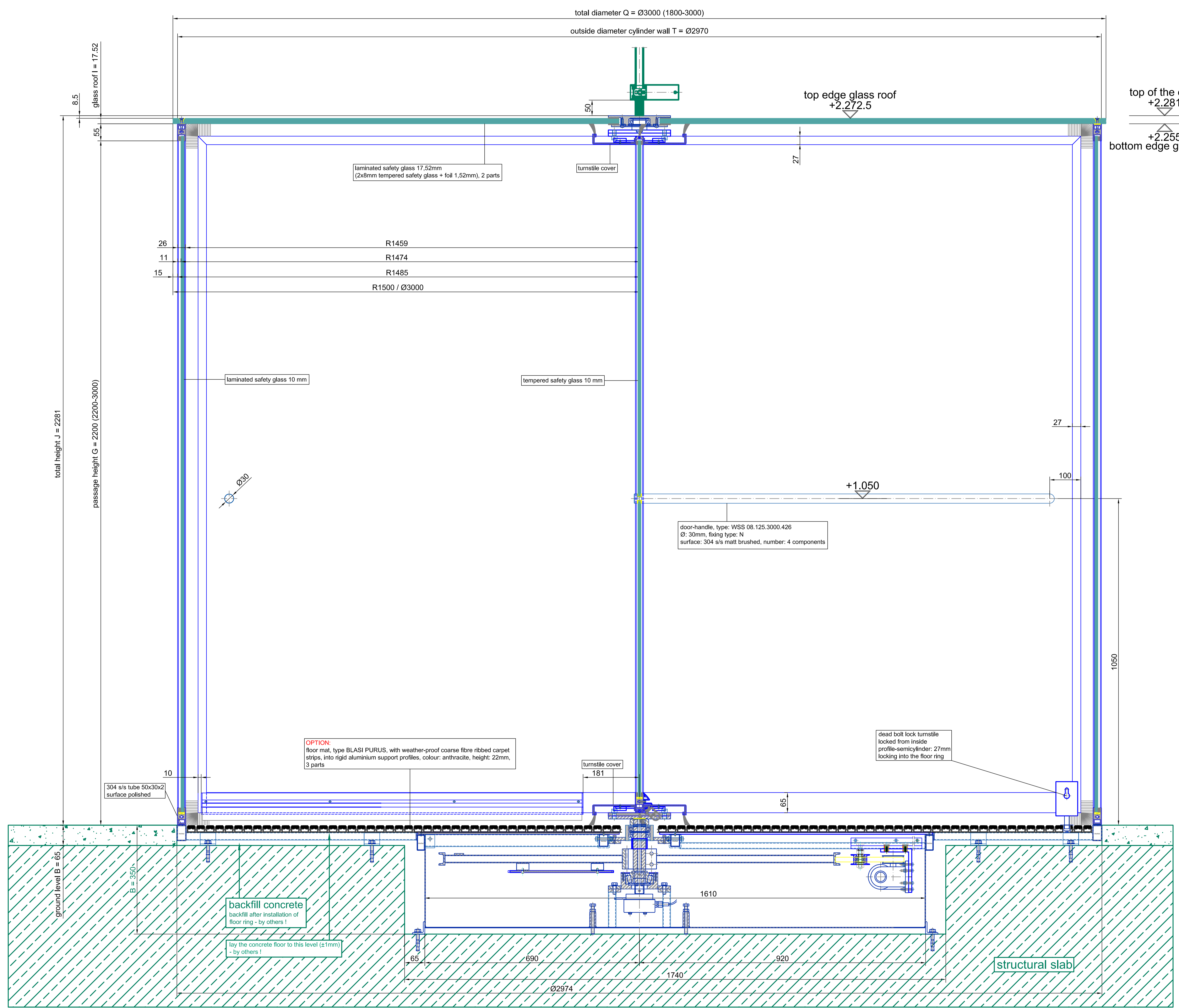
vertical section - passage area

A0 - M 1:2



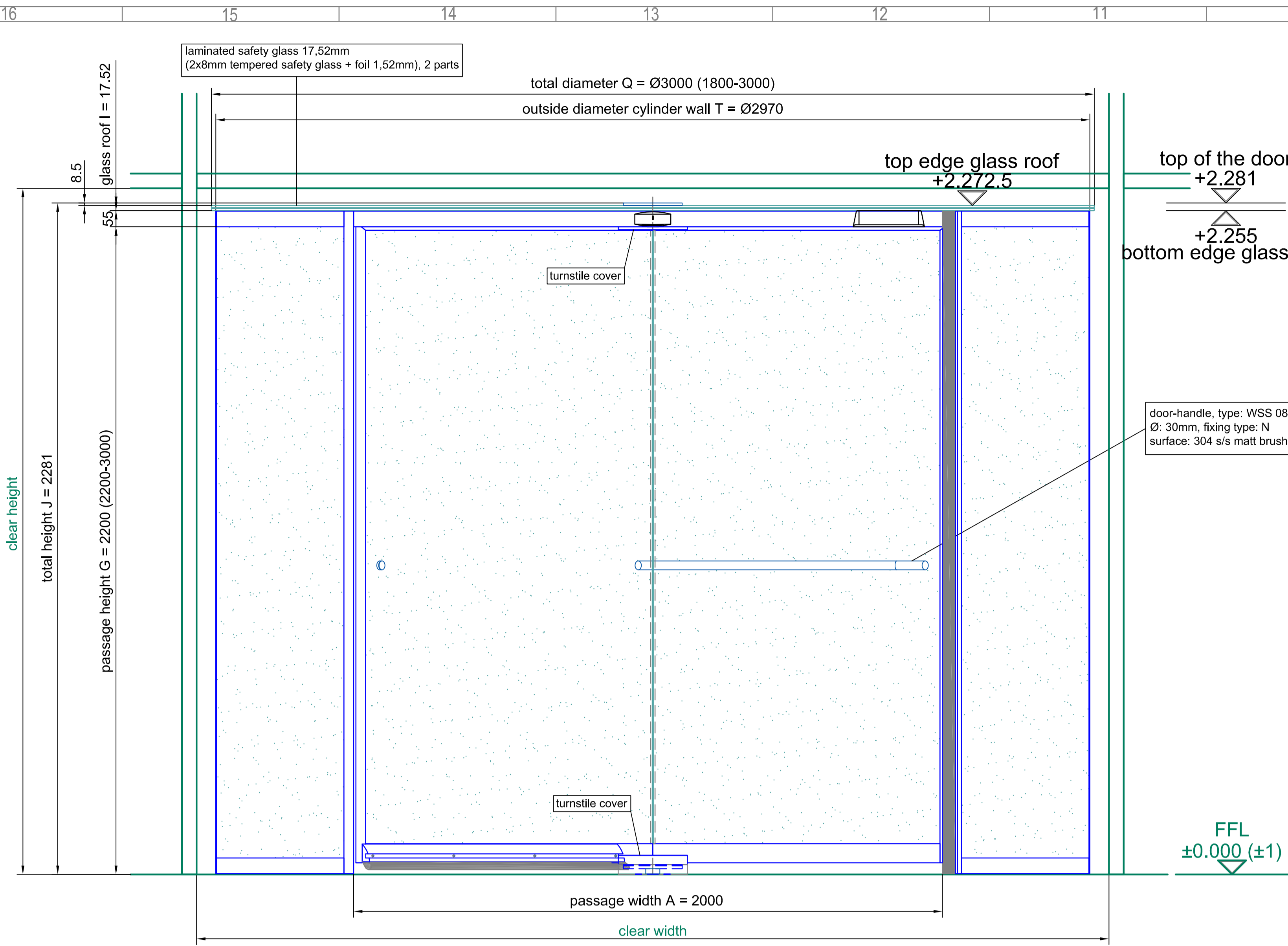
outside

inside

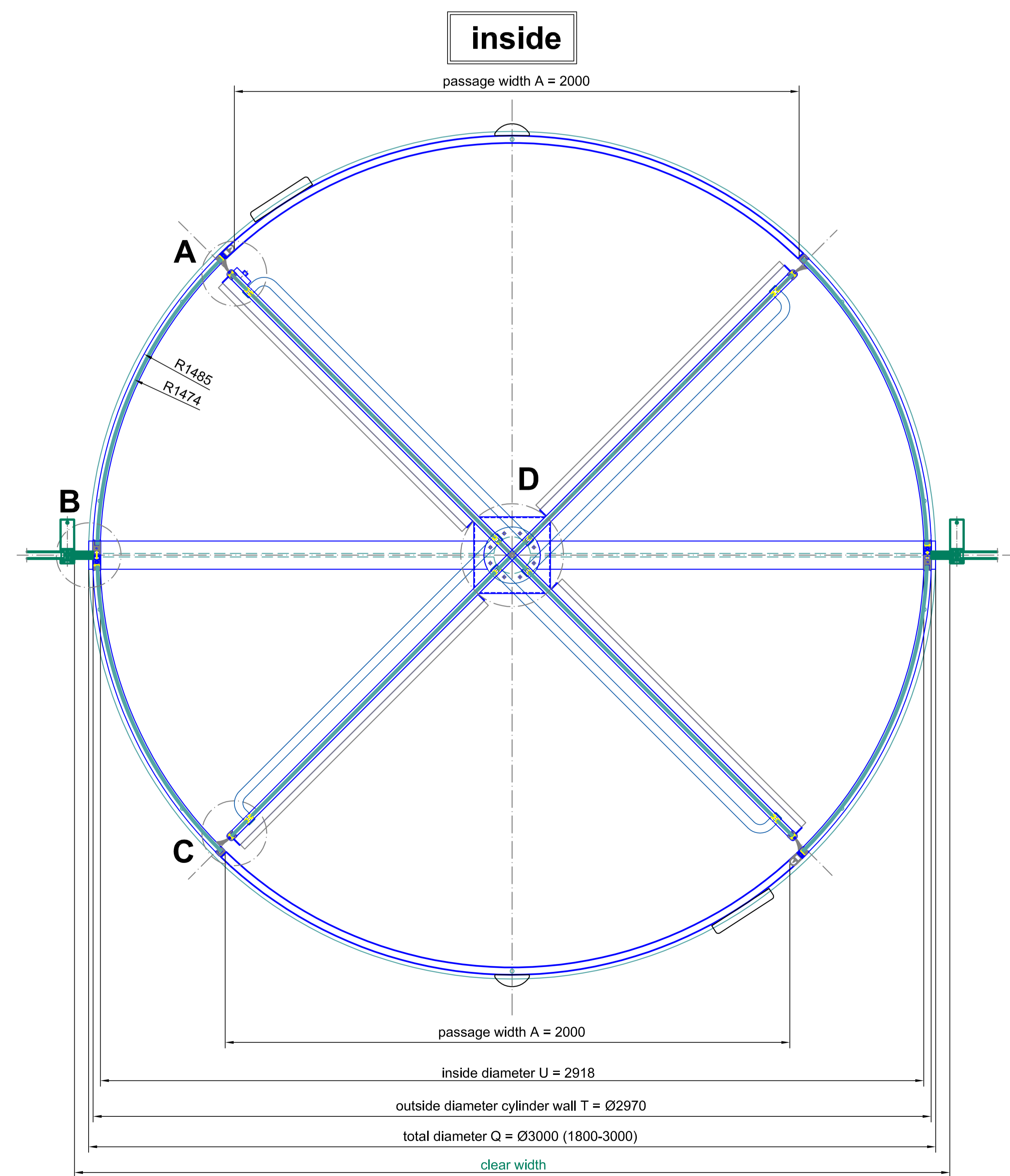


Surface:	All visible surfaces 304 s/s (DIN 7991)	All green marked components must be executed by others!!!
Struct. glasses:	tempered safety glass 10 mm	laminated safety glass 10 mm
Notes:	<p>Scale: A0 = M 1:5</p> <p>Project: K41-V/SU-30 Vitro</p> <p>Contractor: SAMPLE DRAWING ONLY</p> <p>Checked: Arranged: Page 01</p> <p>Drawn: Date: 02</p>	

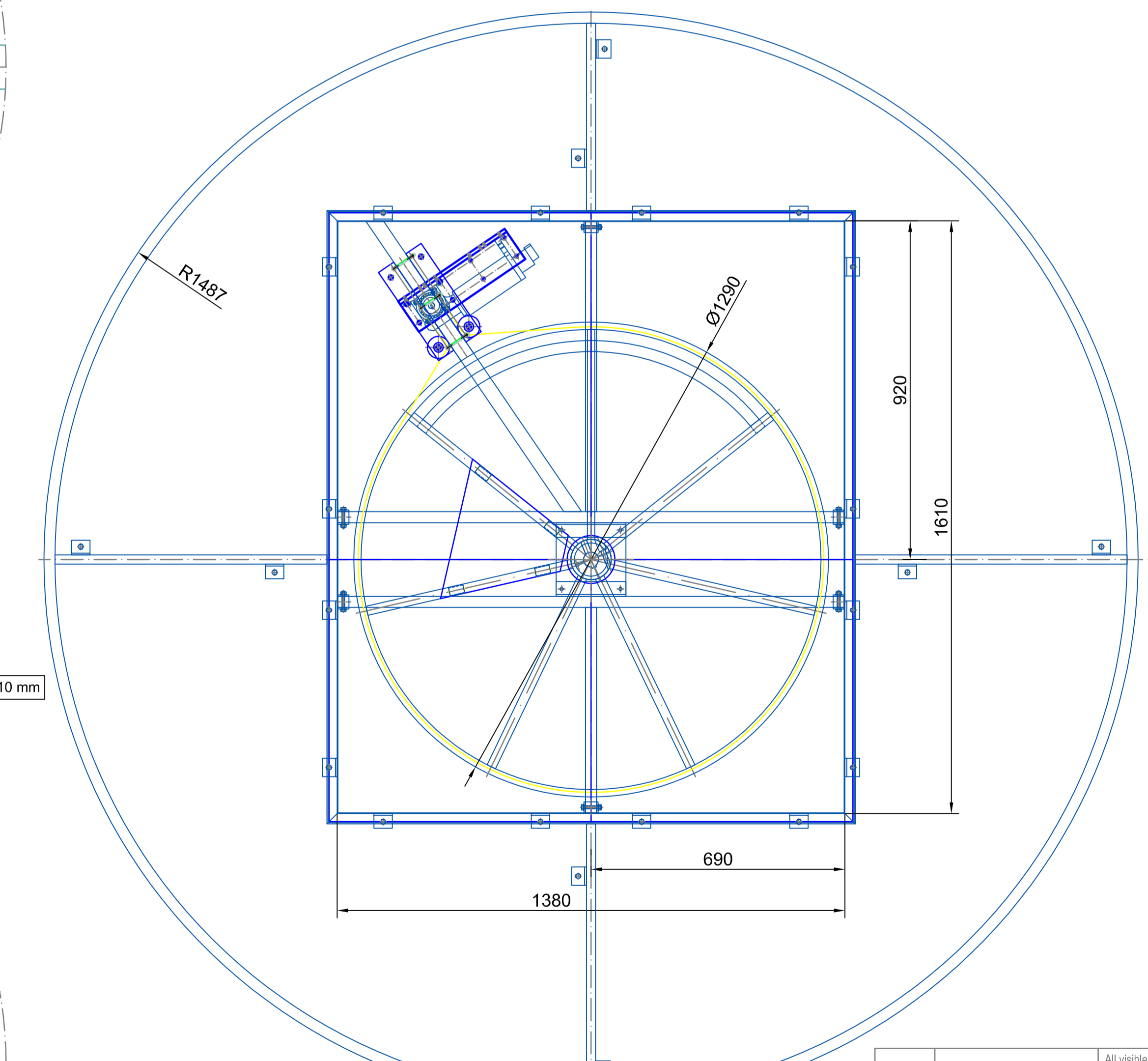
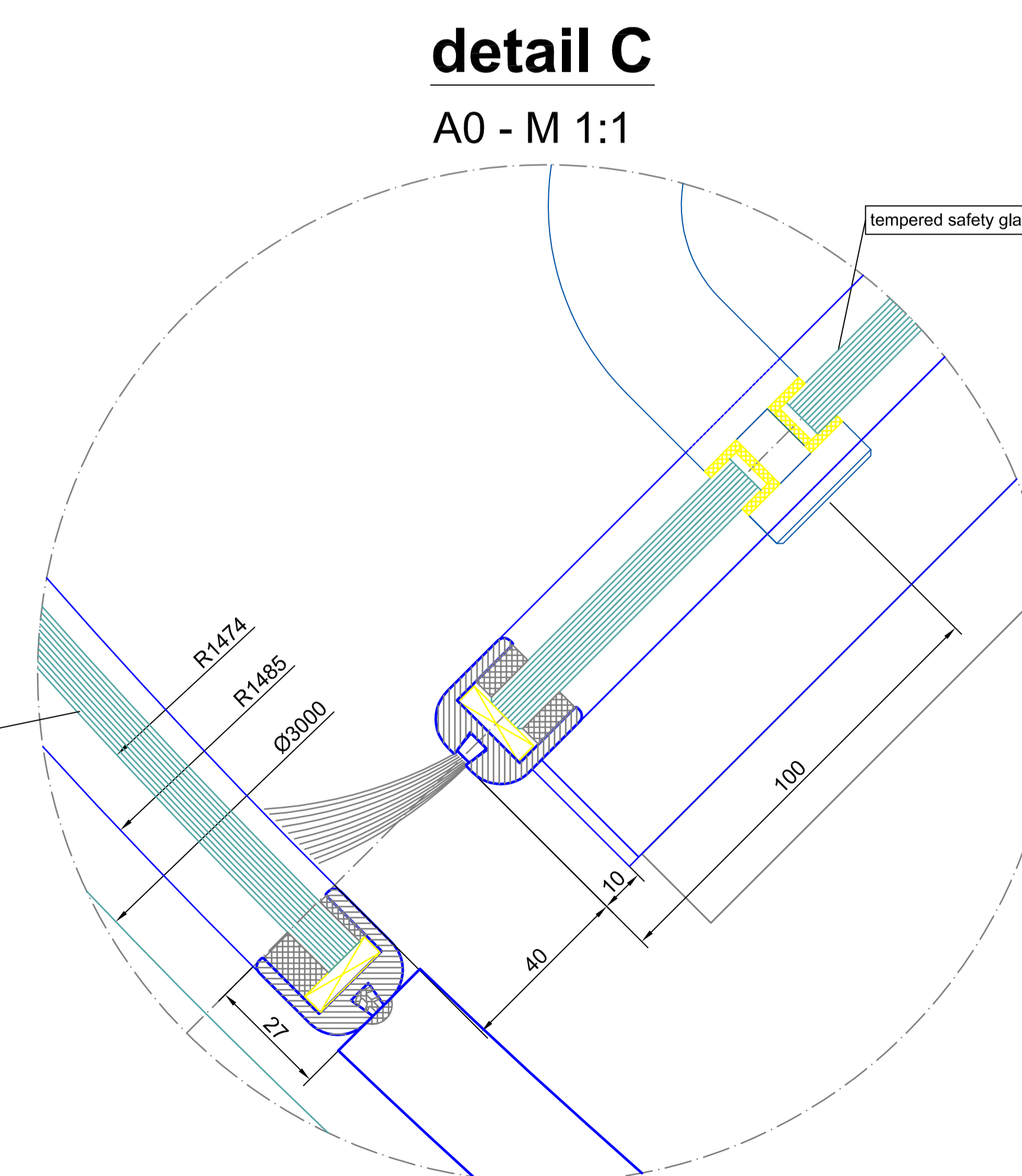
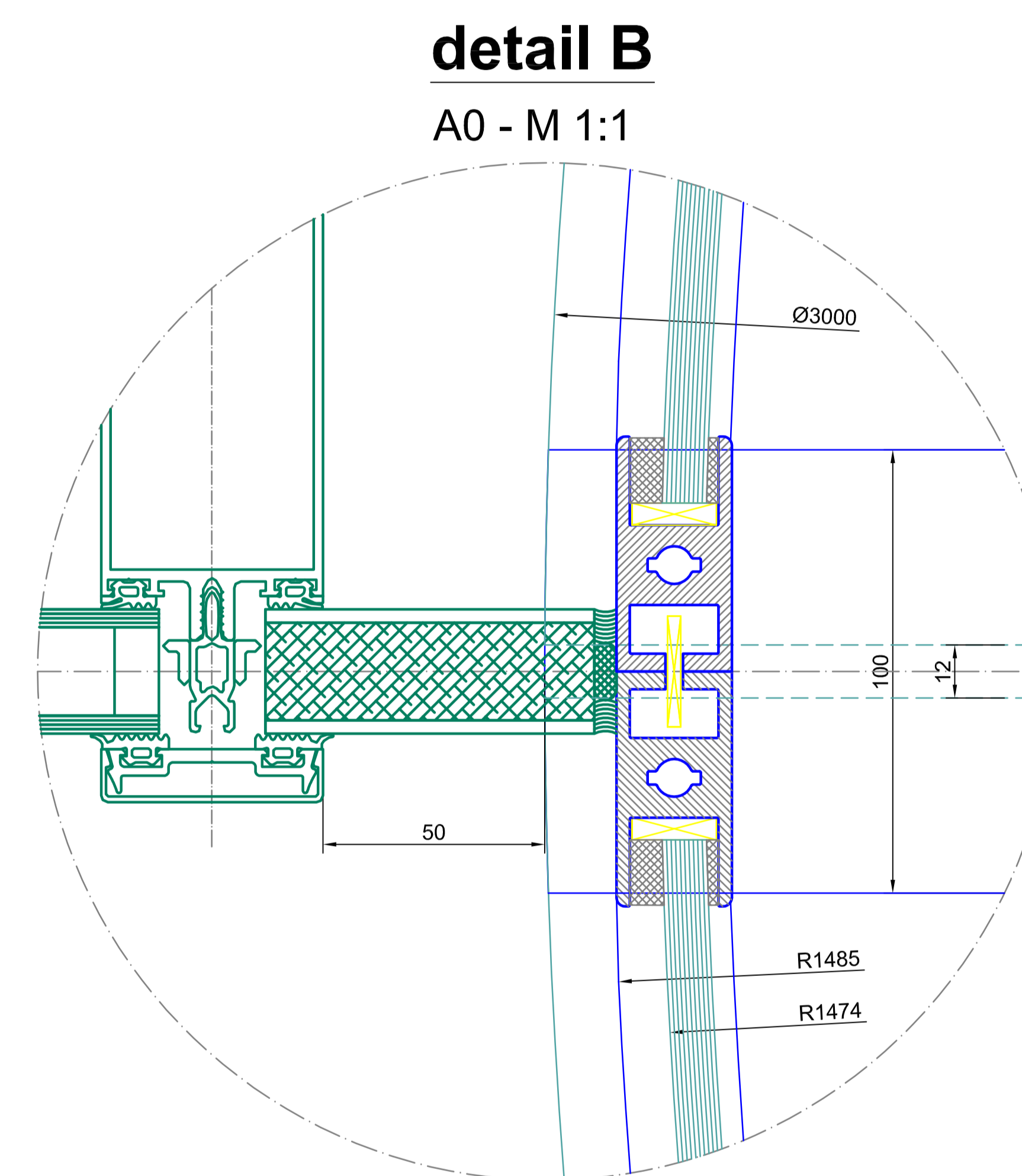
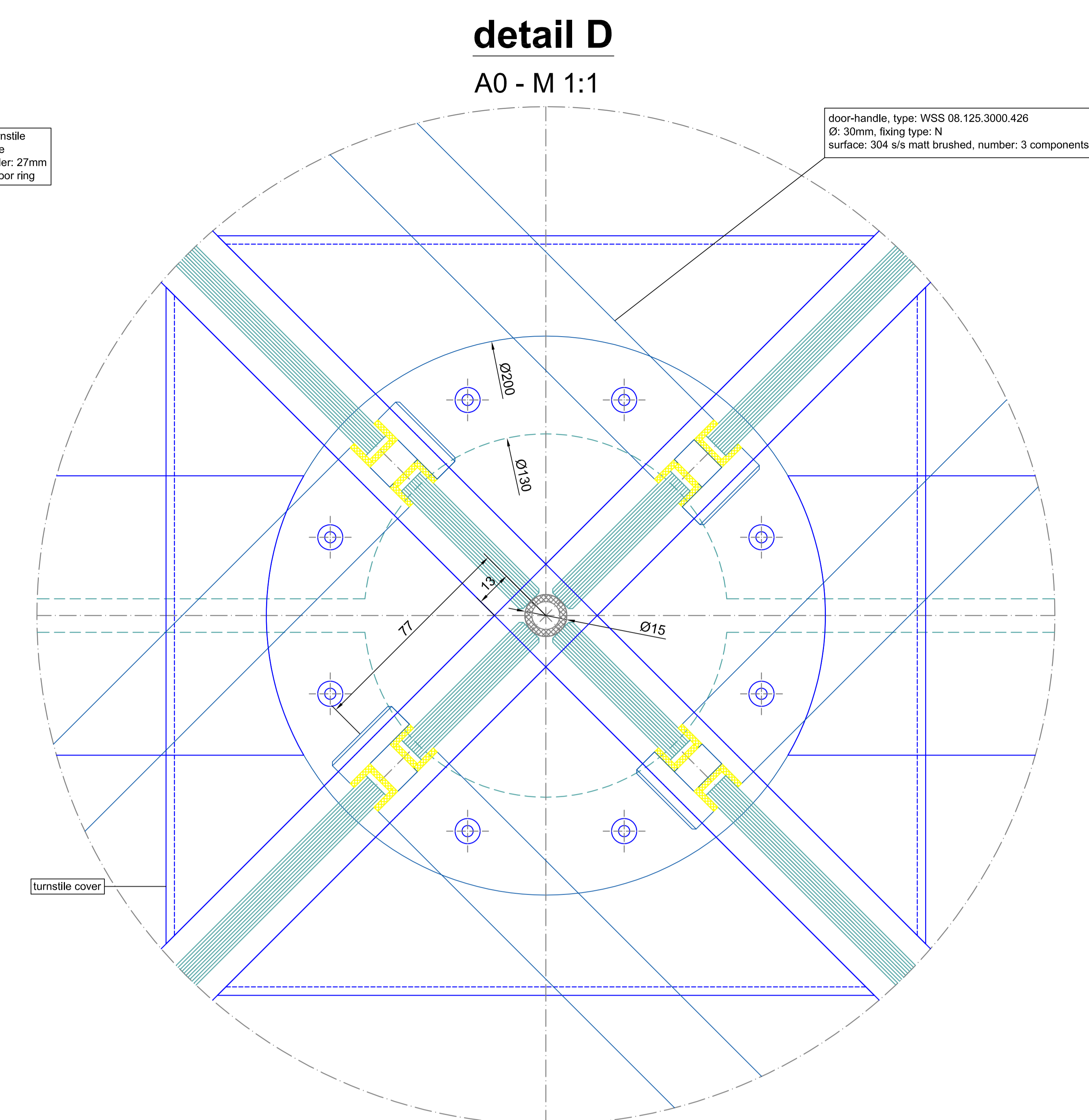
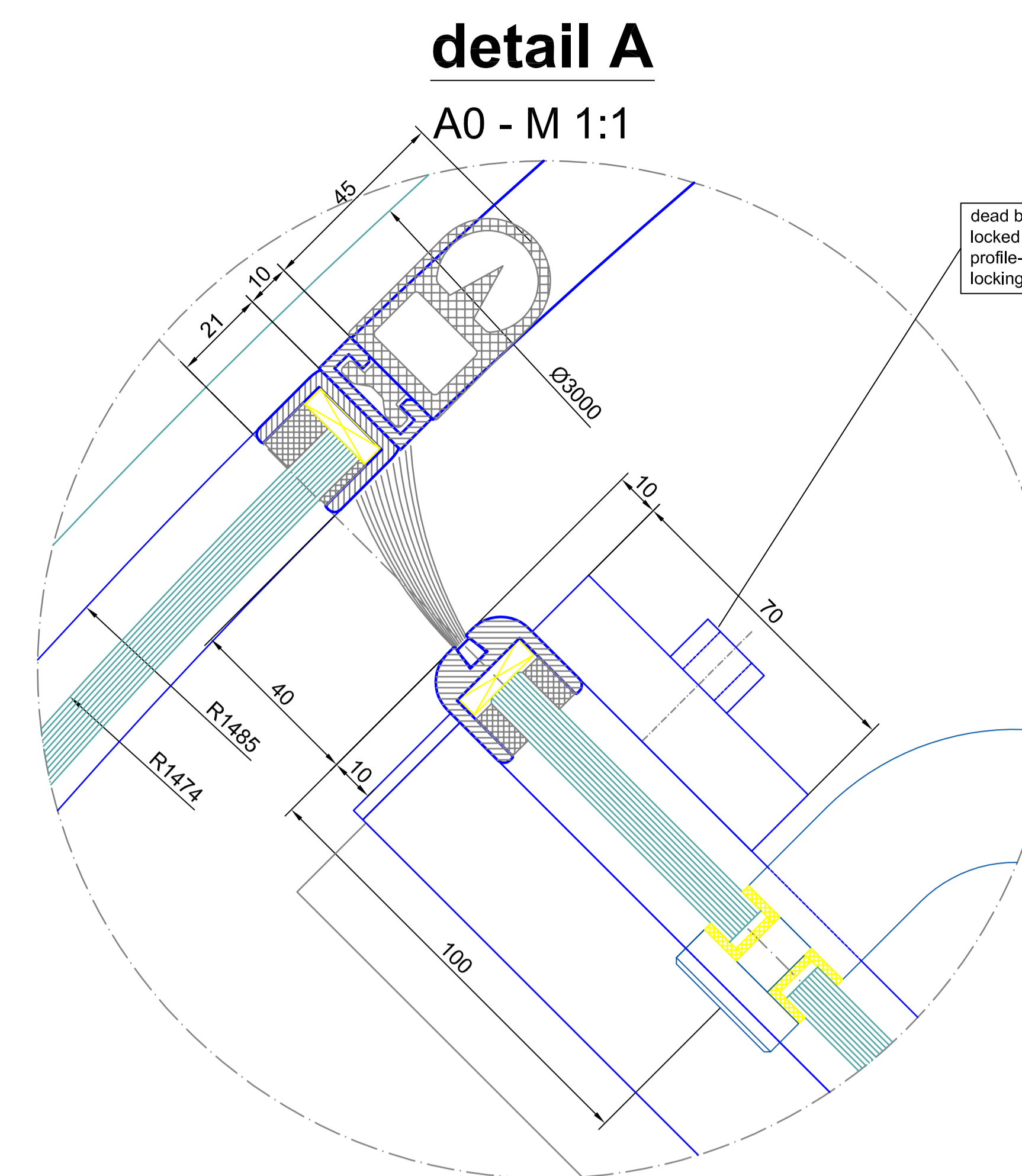
BLASI
 B L A S I G m b H
 Carl-Benz-Str. 5-15
 D - 77972 Malzb.berg
 Tel. +497822 / 893 - 291
 Fax. +497822 / 893 - 299
 E-mail: info@blasi.info
 www. blasi . info



front elevation - outside



**outside
plan view**



Surface:	All visible surfaces 304 s/s (DIN 7991)	All green marked components must be executed by others!!!
Single glasses:	tempered safety glass 10 mm	laminated safety glass 10 mm
Curved glasses:		
Scale:	A0 = M 1:10	Confirmation No.:
Type:	K41-V/SU-30 Vitro	Date:
Project:	SAMPLE DRAWING ONLY	Name:
Contractor:		
Drawing No.:		Page:
Checked:		02
Arranged:		02

This drawing is the property of the company BLASI. It is not allowed to be duplicated or to be resold to a third party. Technical modifications are under reserve.