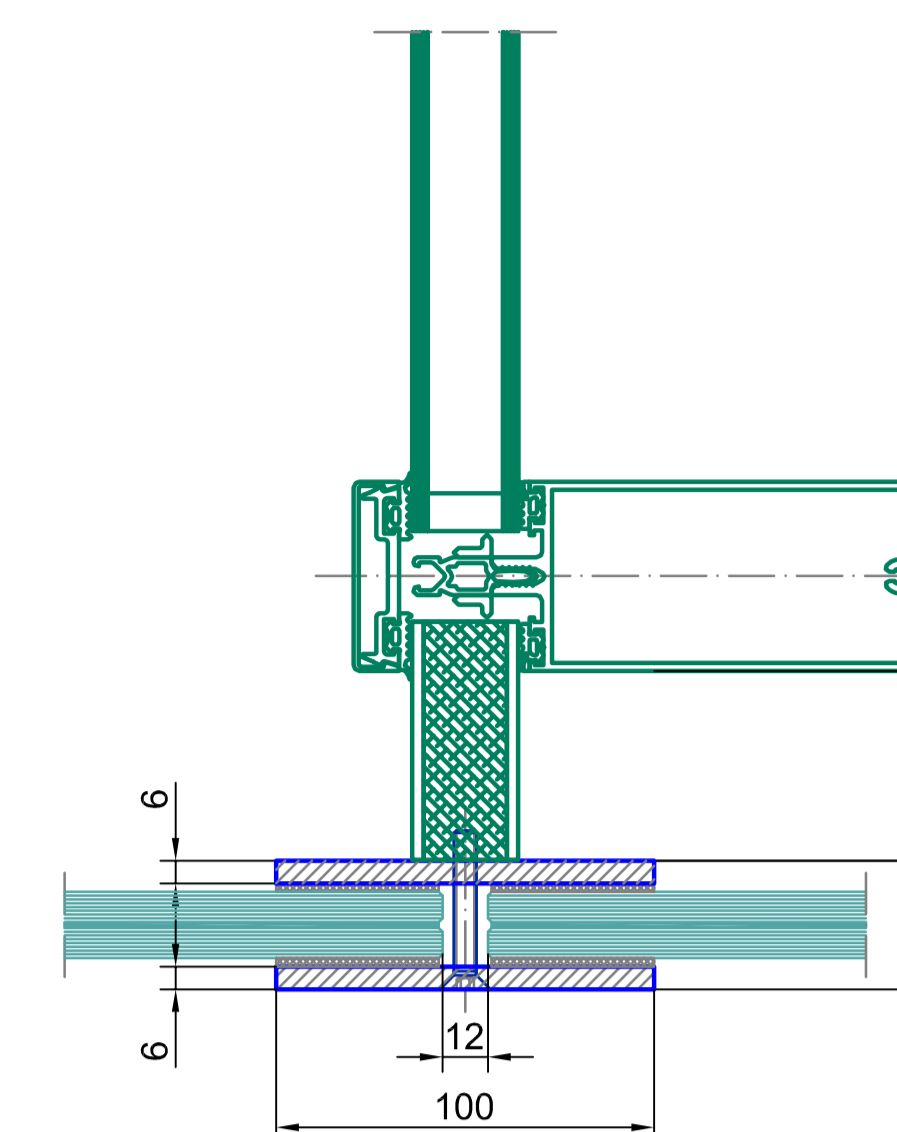


vertical section

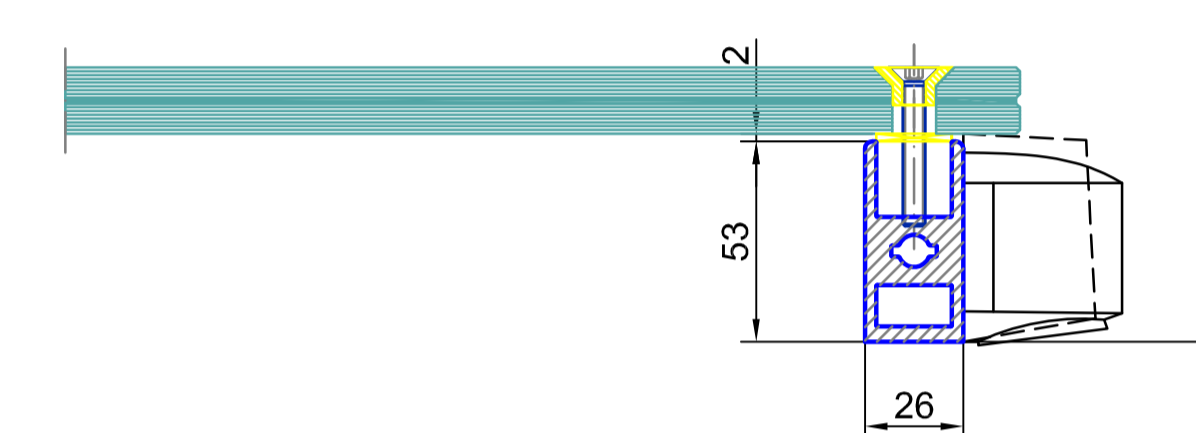
vertical section - beside middle bearing

A0 - M 1:2



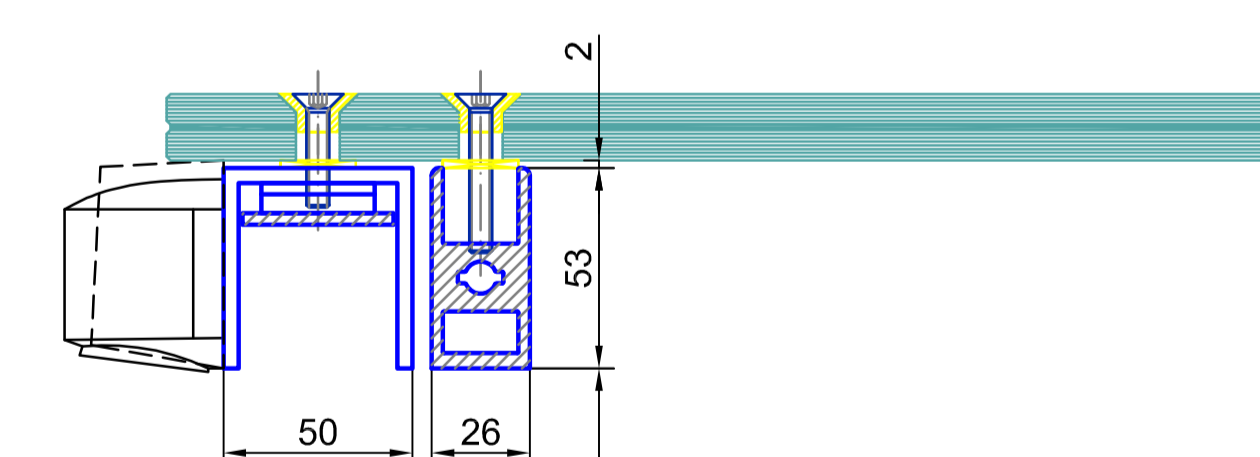
vertical section - passage area inside

A0 - M 1:2



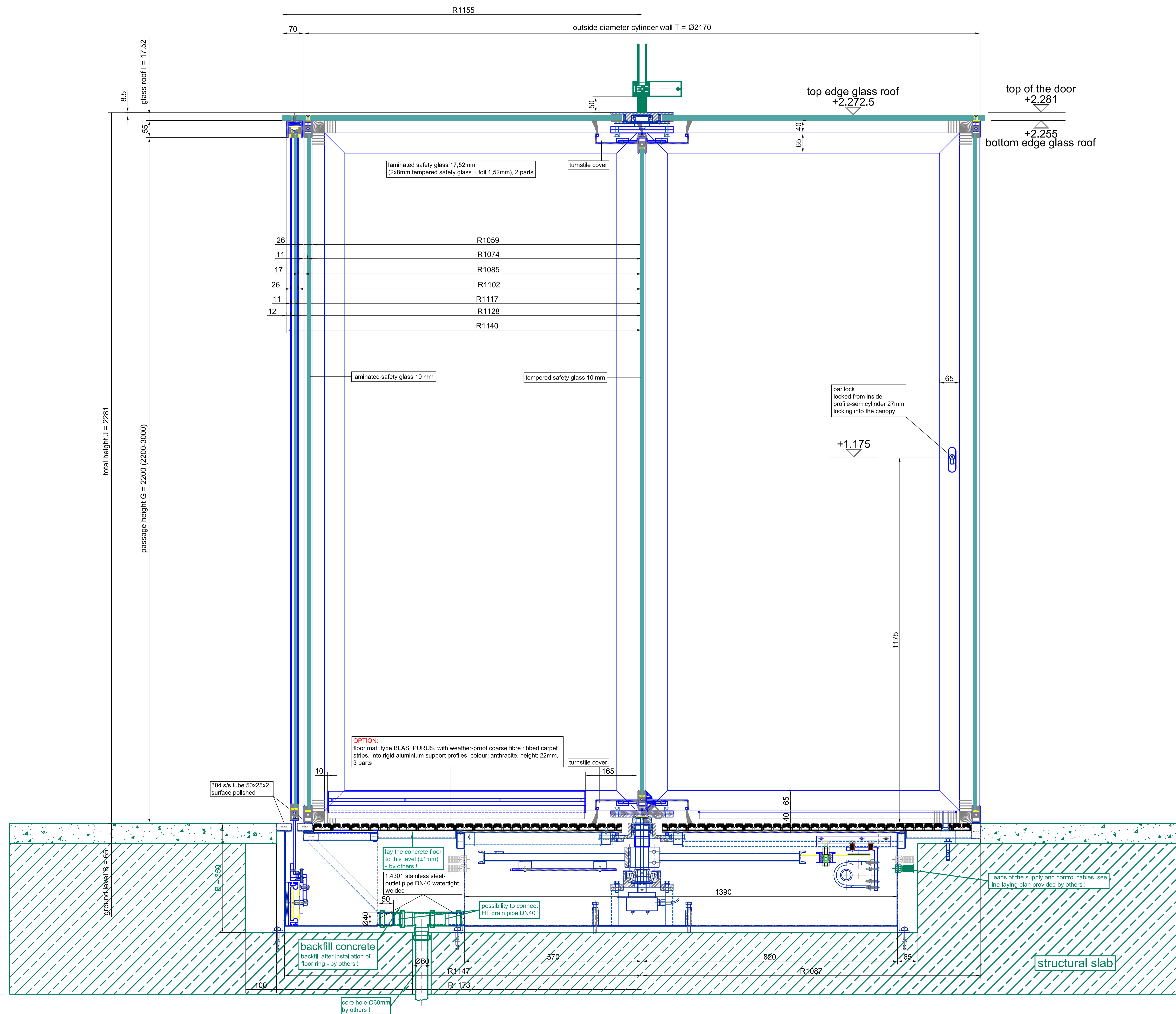
vertical section - passage area outside

A0 - M 1:2



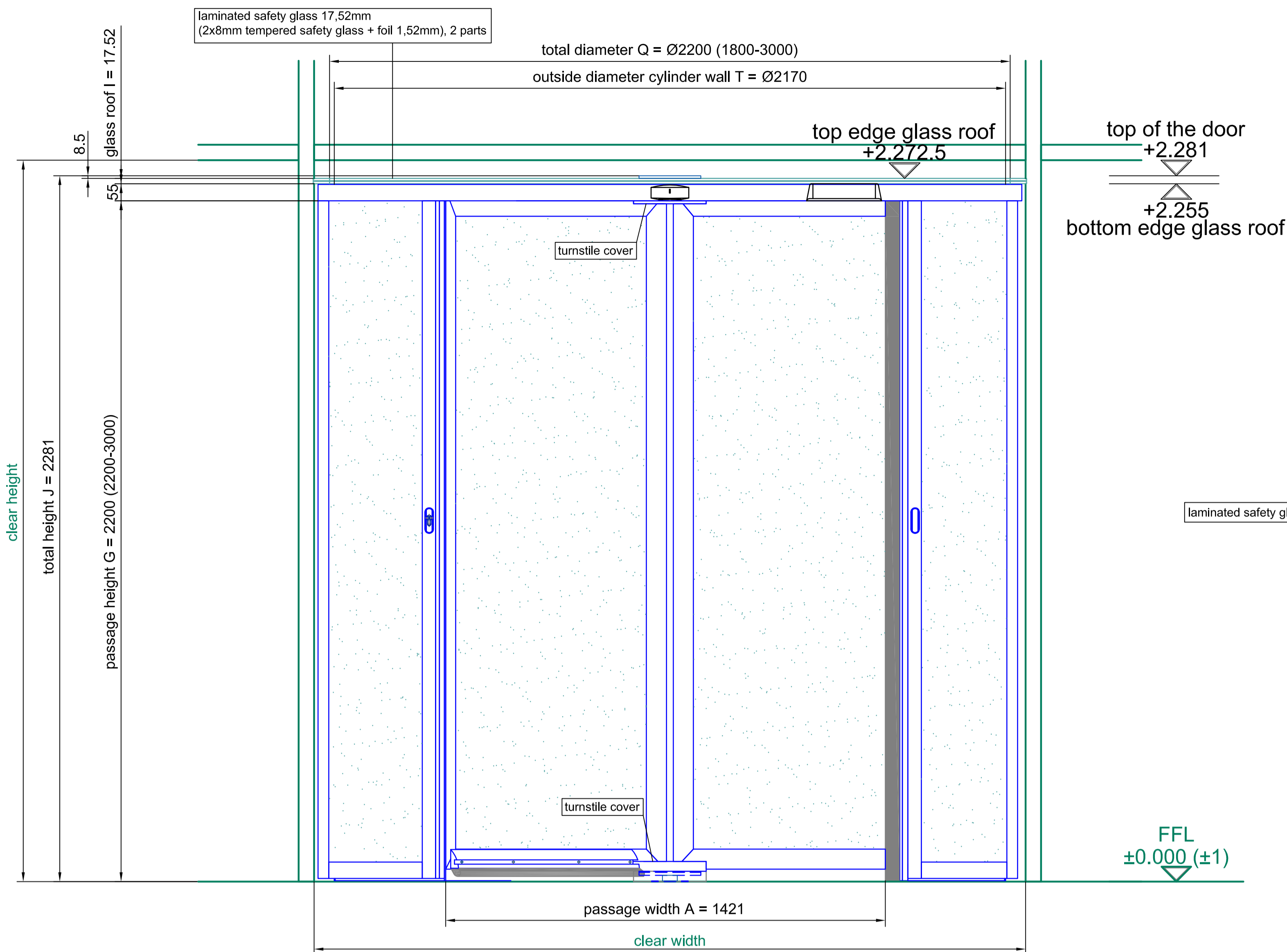
outside

inside



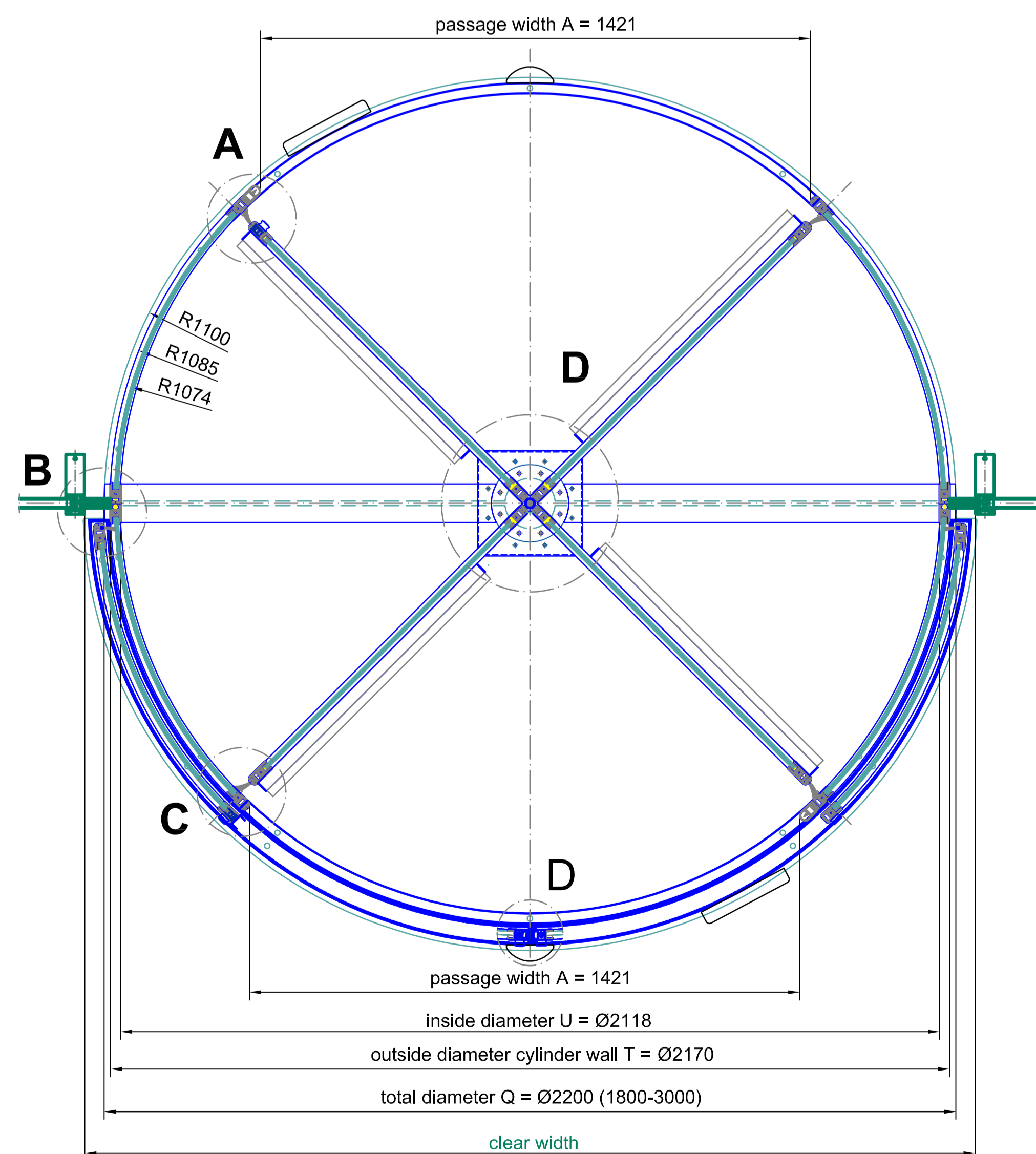
FFL ±0.000 (±1)
 -0.065 (±1) SSL
 -0.350 (±1) SSL

Surface:	All visible screws	All green marked components
Drainage:	304 s/s (DNV 7991)	must be executed by others!!!
Drainage:	tempered safety glass 10 mm	laminated safety glass 10 mm
Notes:	Modifications	Date Name
BLASI B L A S I G m b H Automatic Doors Cef-Benz-Str. 5-15 D - 77972 Mainzberg		Scale: A0-M 1:5 Title: K41-VISU/NMA-22 Project: SAMPLE DRAWING ONLY Drawing No.: Page: 01 Form: 02



front elevation - outside

inside

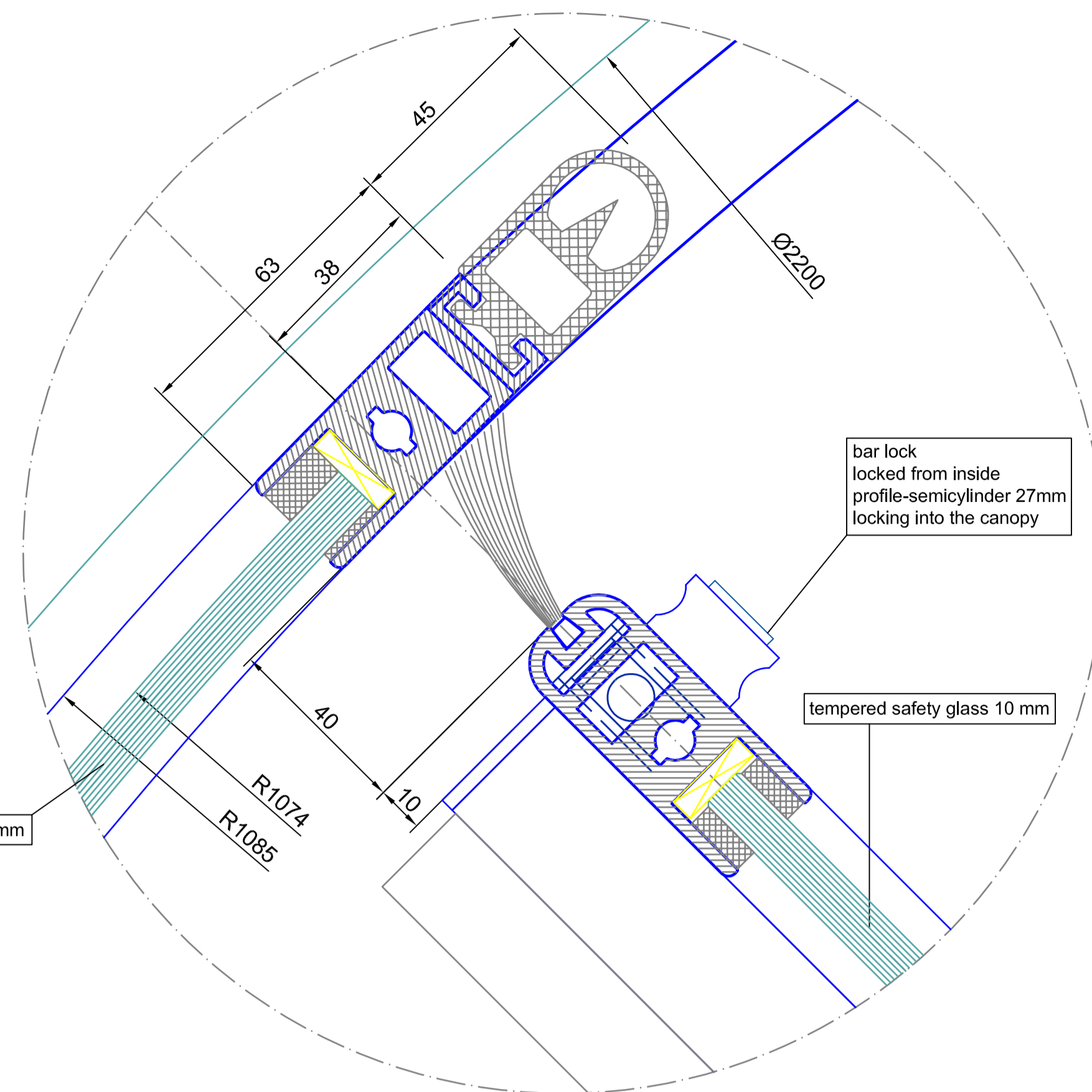


outside

plan view

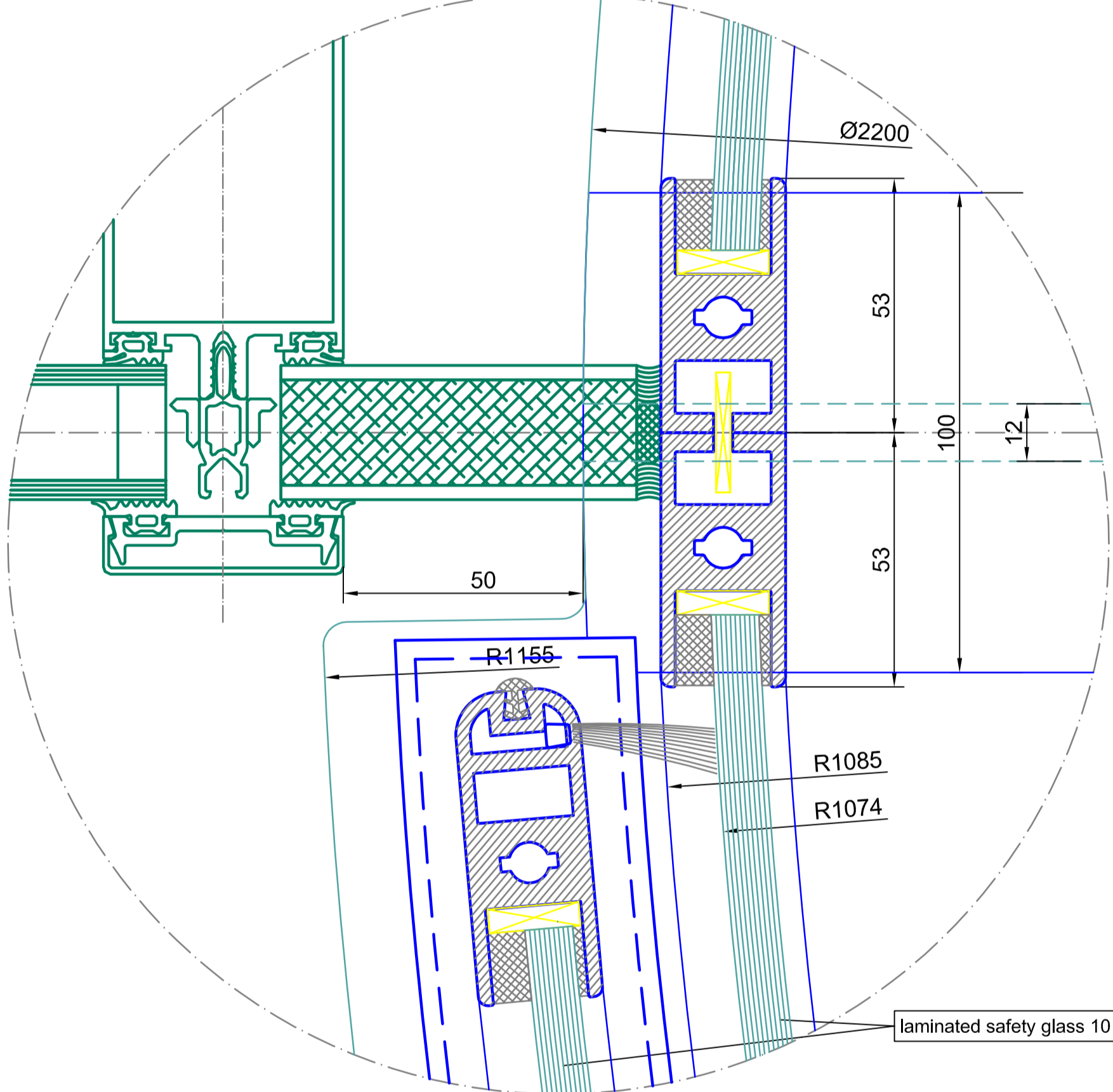
detail A

A0 - M 1:1



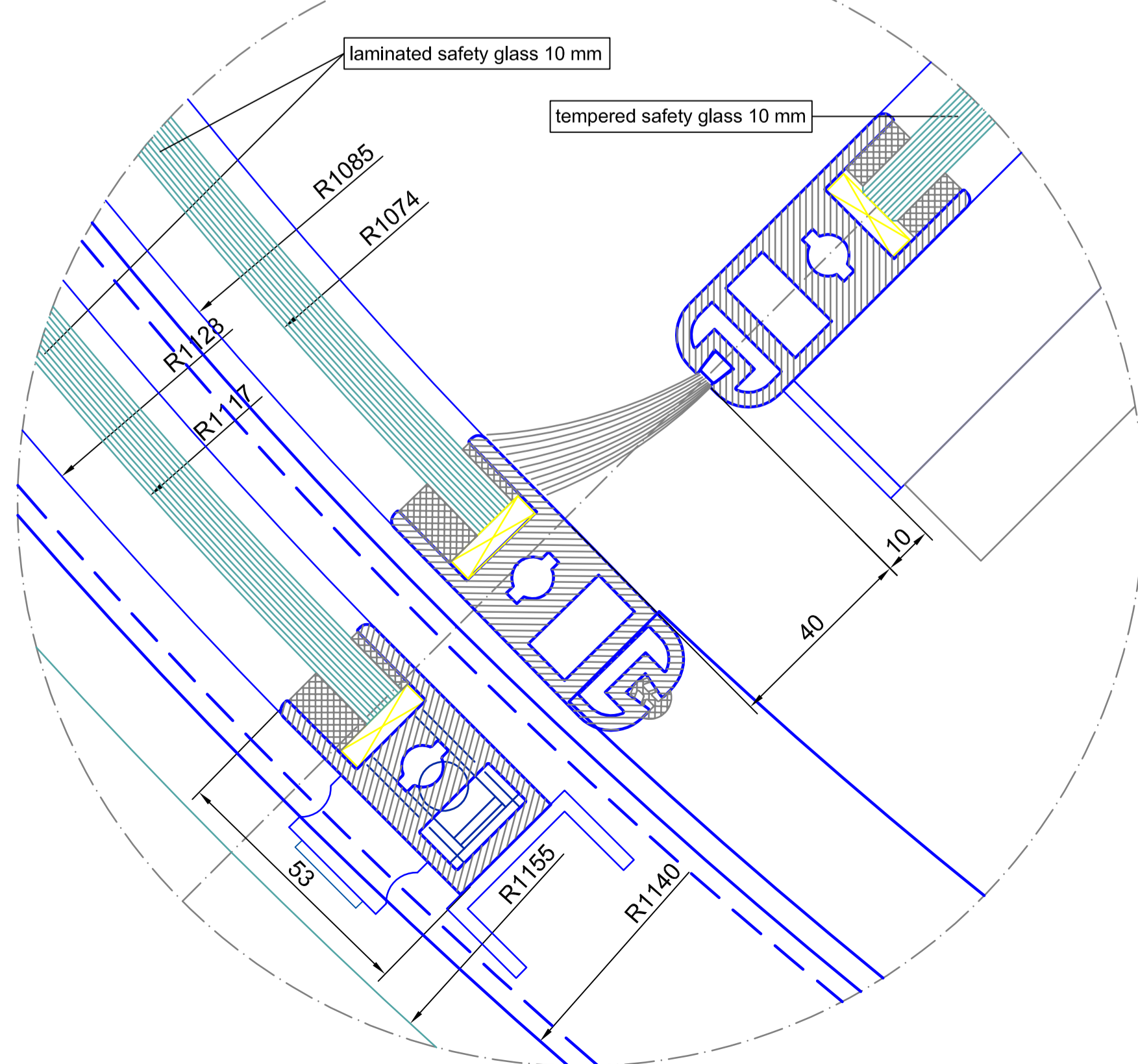
detail B

A0 - M 1:1



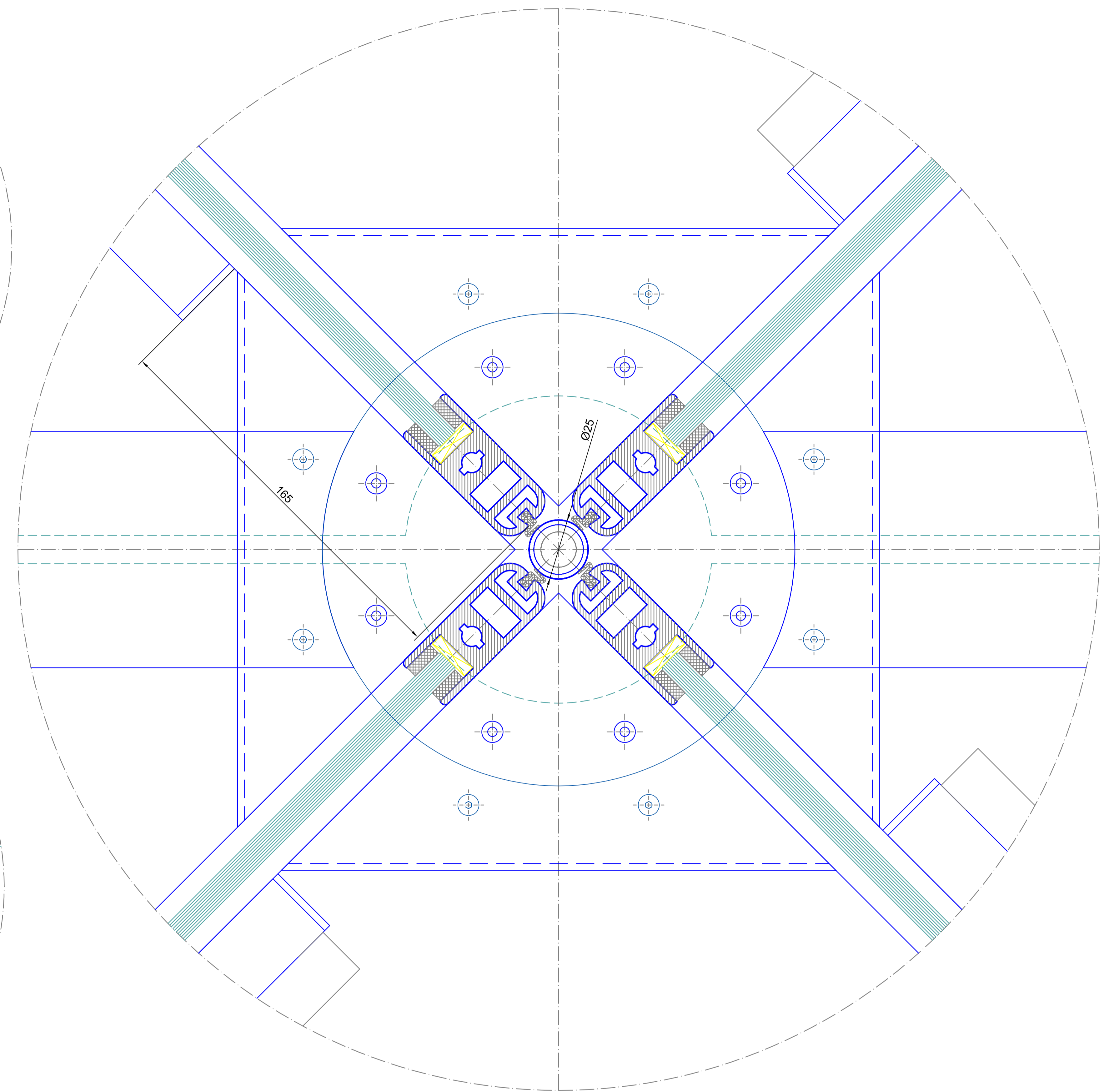
detail C

A0 - M 1:1



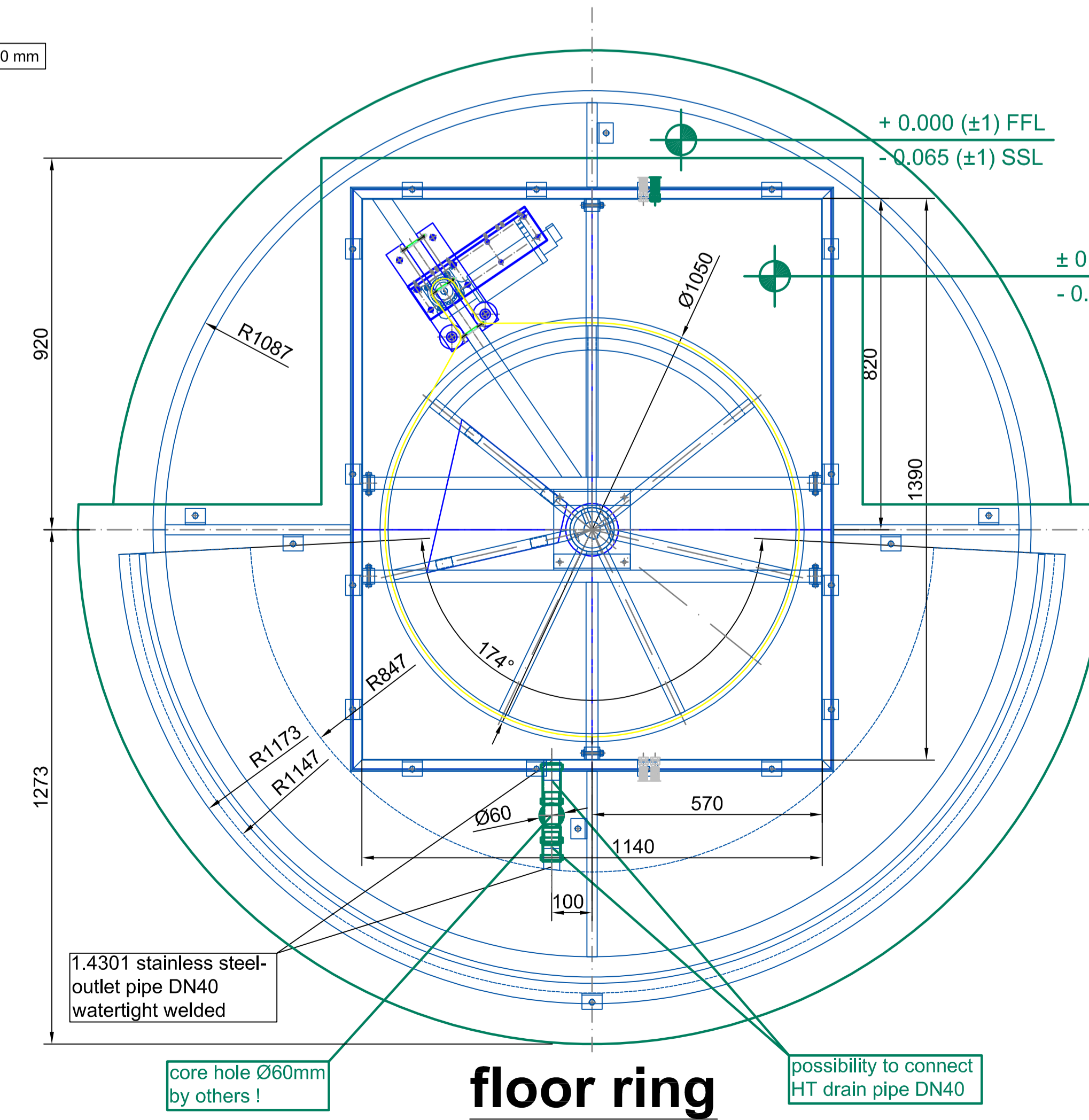
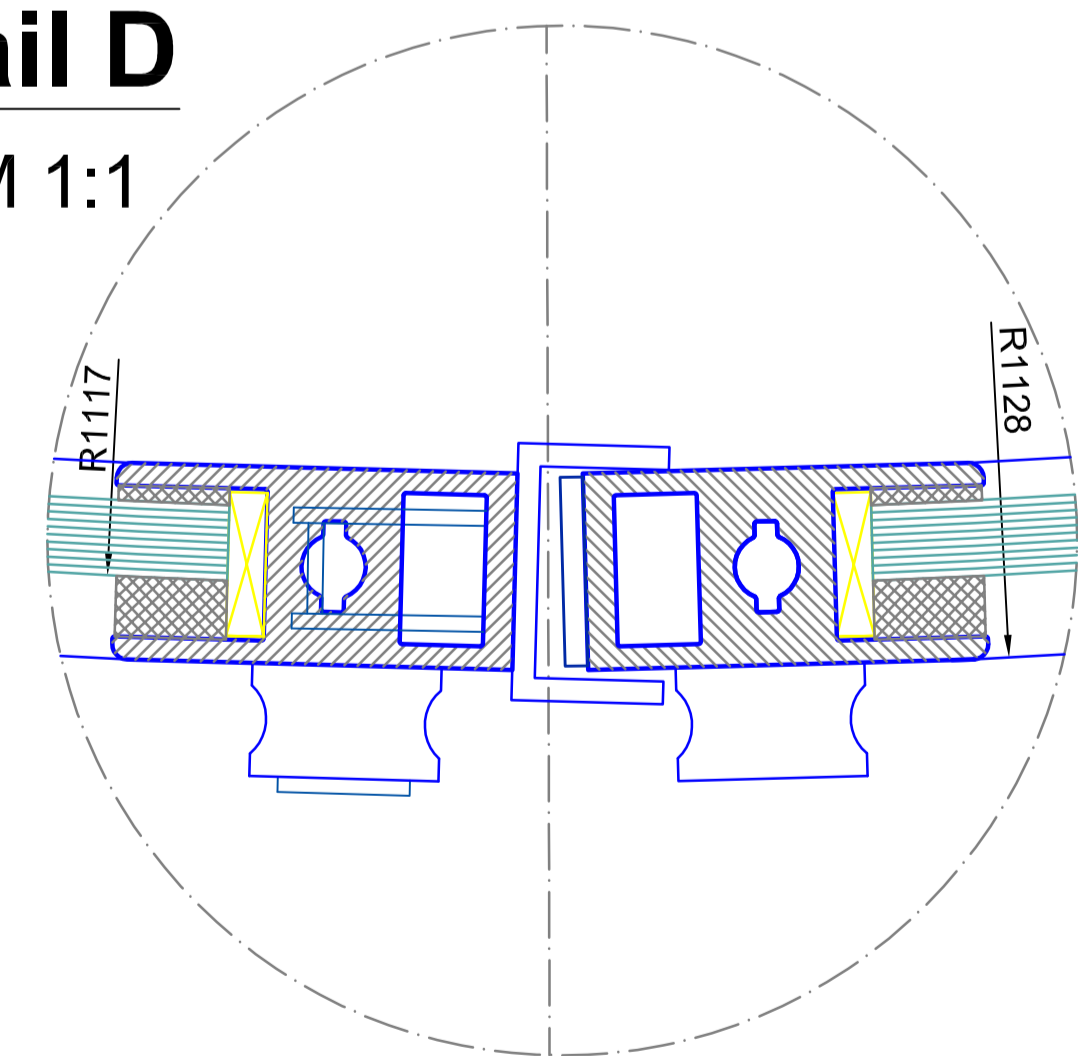
detail D

A0 - M 1:1



detail D

A0 - M 1:1



floor ring

Surface:	All visible screws	304 s/s	(DIN 7991)	All green marked components must be executed by others!!!
Drain:	tempered safety glass 10 mm	tempered safety glass 10 mm	tempered safety glass 10 mm	laminated safety glass 10 mm
Notes:	Modifications			
Scale:	A0 - M 1:10	Confirmation No.:		
Type:	K41-VISU/NMA-22	Project:		
Project:	SAMPLE DRAWING ONLY	Contractor:		
Check:	Drawn:	Checked:	Page 02	of 02

BLASI
 B.L.A.S.I. G.m.b.H.
 Automatic Doors
 Carl-Benz-Str. 5-15
 D - 77972 Mannheim

Tel: +497022 / 893 - 291
 Fax: +497022 / 893 - 299
 E-mail: info@blasi.info
 www.blasi.info